

Figure 1. PWP Mod I System Assembly

PWP Mod. I System Assembly

FIG. NO.	INDEX NO.	PART NUMBER	INDENT	DESCRIPTION	QTY PER ASSY
1	0	AJXXXXN7556810AY099	1	PWP MOD. I SYSTEM ASSEMBLY	
1	1	AJXXXXN7556811AY099	2	CMU ASSEMBLY (For Details, see Figure 2)	1
1	2	AJXXXXN7556850AY099	2	AUXILIARY UNIT ASSEMBLY (For Details, see Figure 7)	1
1	3	AJXXXXN7556840AY099	2	CMU REAR ELECTRICAL ENCLOSURE ASSEMBLY (For Details, see Figure 6)	1
1	4	AJXXXXN7556841AY099	2	CMU PENDANT ASSEMBLY (For Details, see Figure 5)	1
1	5	AJXXXXN7556843AY098	2	AUXILIARY ENCLOSURE CABLE ASSEMBLY, W109	1
1	6	AJXXXXN7556807AY099	2	CMU TO AU COOLING HOSE ASSEMBLY	2
1	7	AJXXXXN7556810PC007	2	TUBING, .38 OD X .06 WALL, TRANSLUCENT WHITE, 5'-0" LONG	2

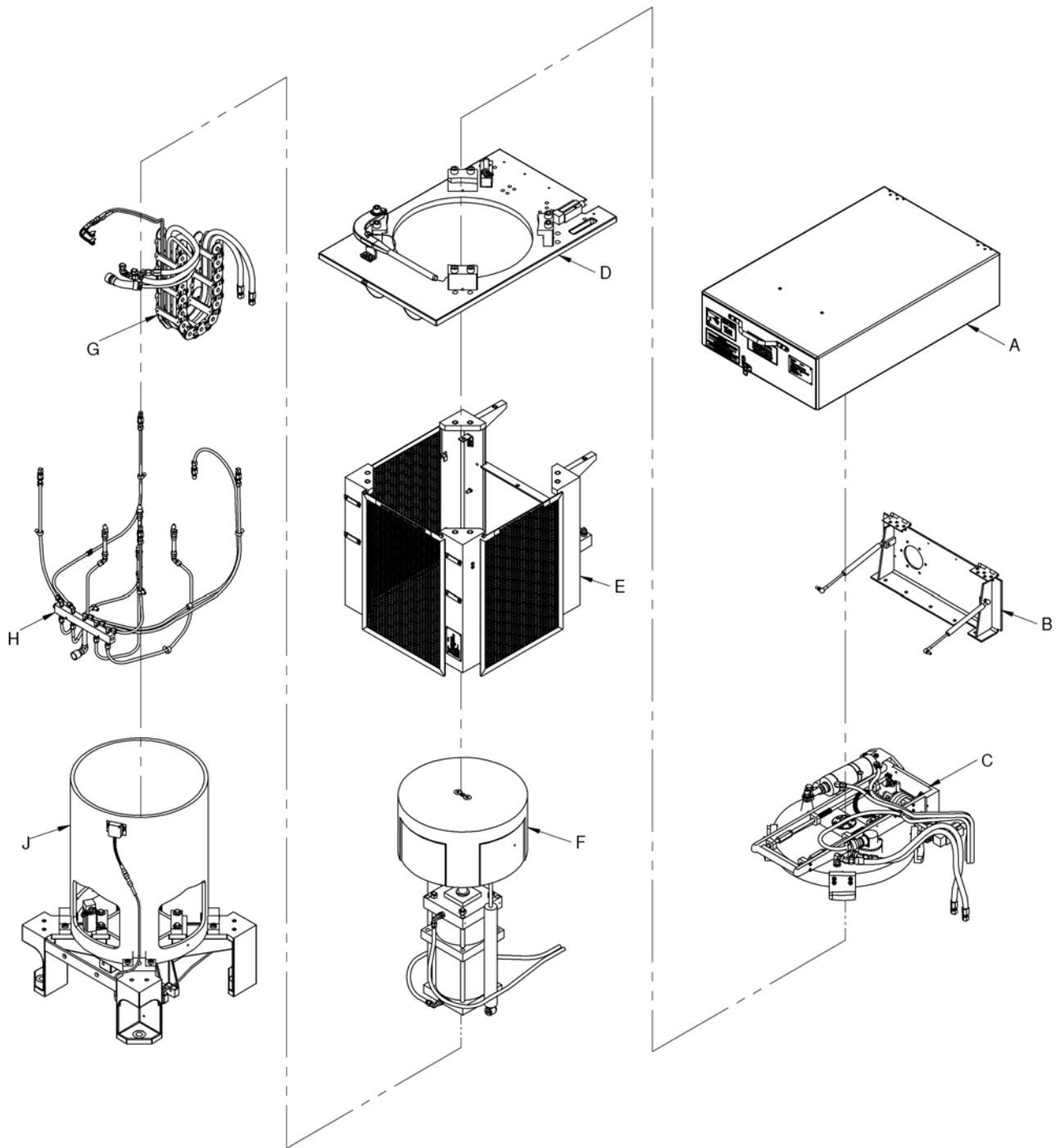


Figure 2. CMU Assembly.

CMU Assembly

FIG. NO.	INDEX NO.	PART NUMBER	INDENT	DESCRIPTION	QTY PER ASSY
2	0	AJXXXXN7556811AY099	1	CMU ASSEMBLY (For NHA, see Figure 1)	
2	A			Safety Cover Subassembly (For details, see Figure 2A)	1
2	B			Safety Cover Bracket Subassembly (For details, see Figure 2B)	1
2	C			Door Subassembly (For details, see Figure 2C)	1
2	D			Top Plate Subassembly (For details, see Figure 2D)	1
2	E			Upper Frame and Guard Subassembly (For details, see Figure 2E)	1
2	F			Ram and Drive Subassembly (For details, see Figure 2F)	1
2	G			Cable Track Subassembly (For details, see Figure 2G)	1
2	H			Self Cleaning System Subassembly (For details, see Figure 2H)	1
2	J			Lower Frame and Chamber Subassembly (For details, see Figure 2J)	1

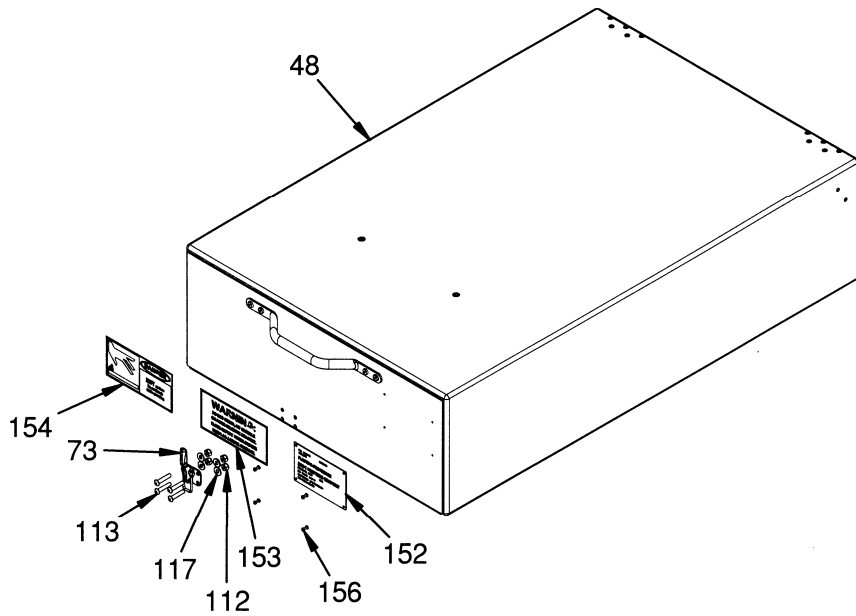


Figure 2A. CMU Safety Cover Subassembly

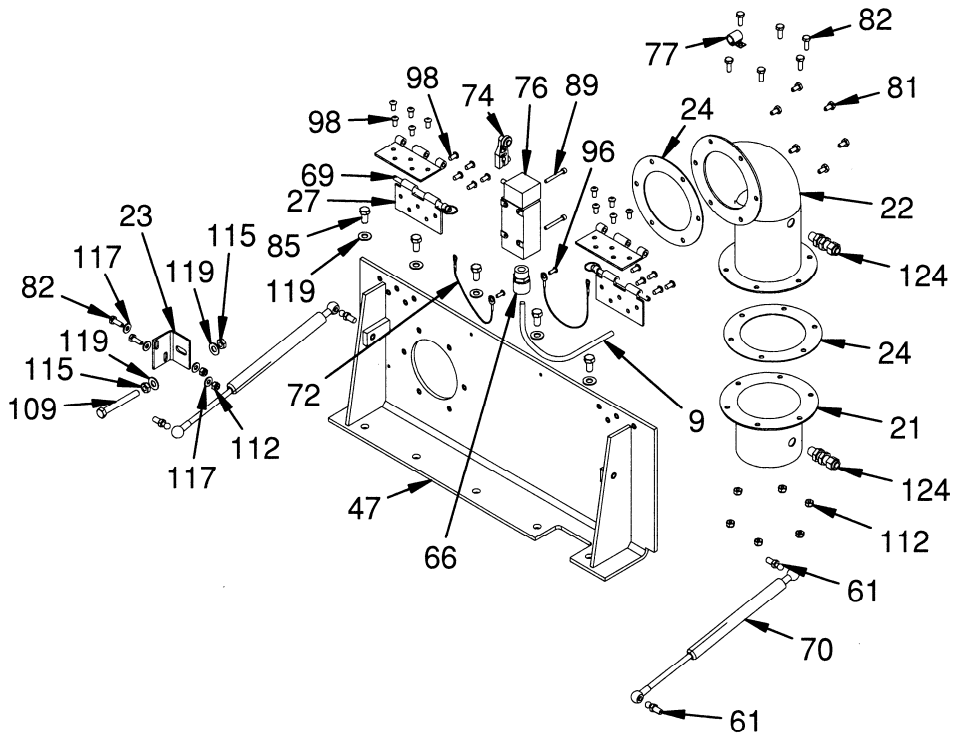


Figure 2B. CMU Safety Cover Bracket Subassembly.

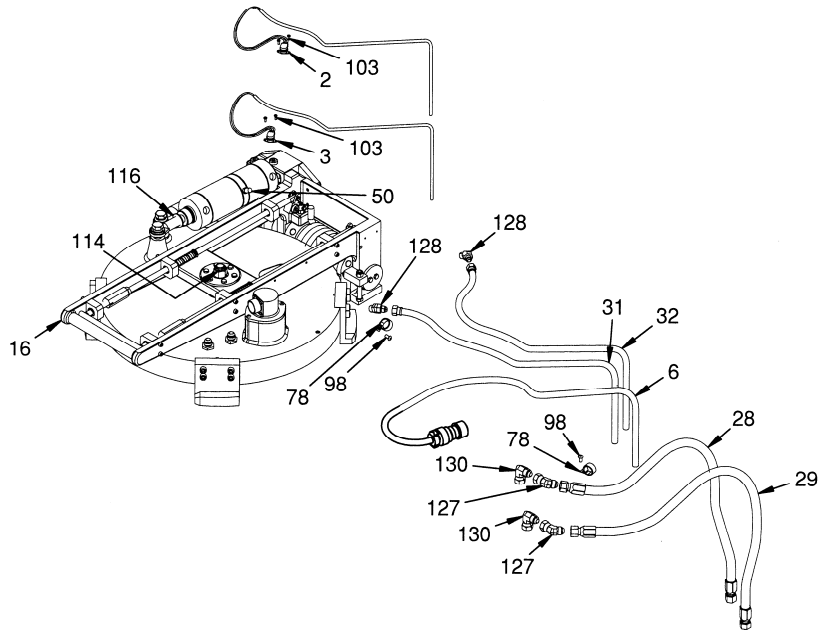


Figure 2C. CMU Door Subassembly.

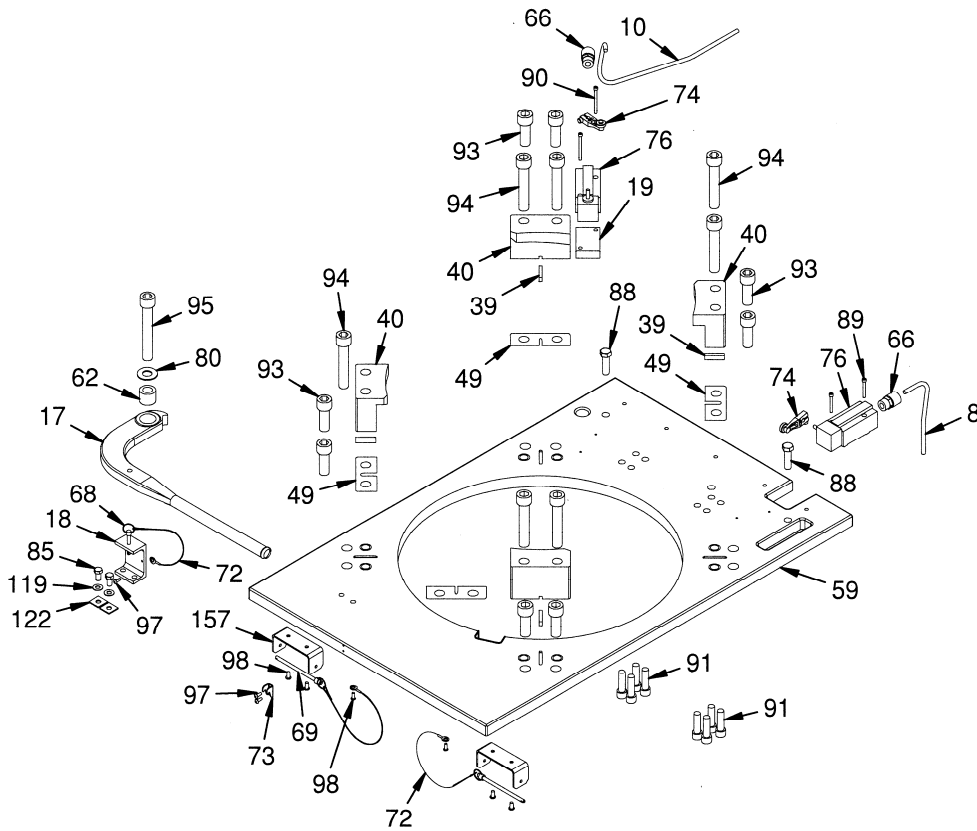


Figure 2D. CMU Top Plate Subassembly.

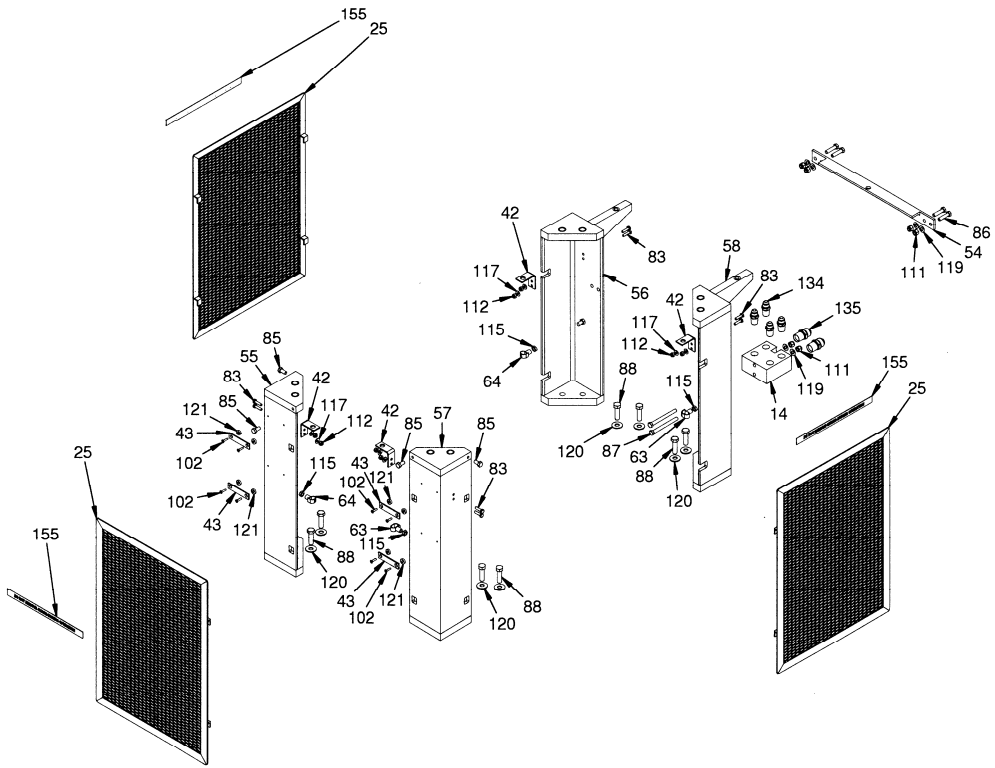


Figure 2E. CMU Upper Frame and Guard Subassembly

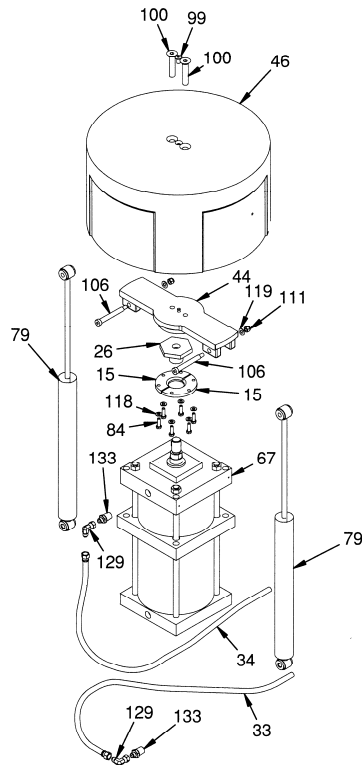


Figure 2F. CMU Ram and Drive Subassembly.

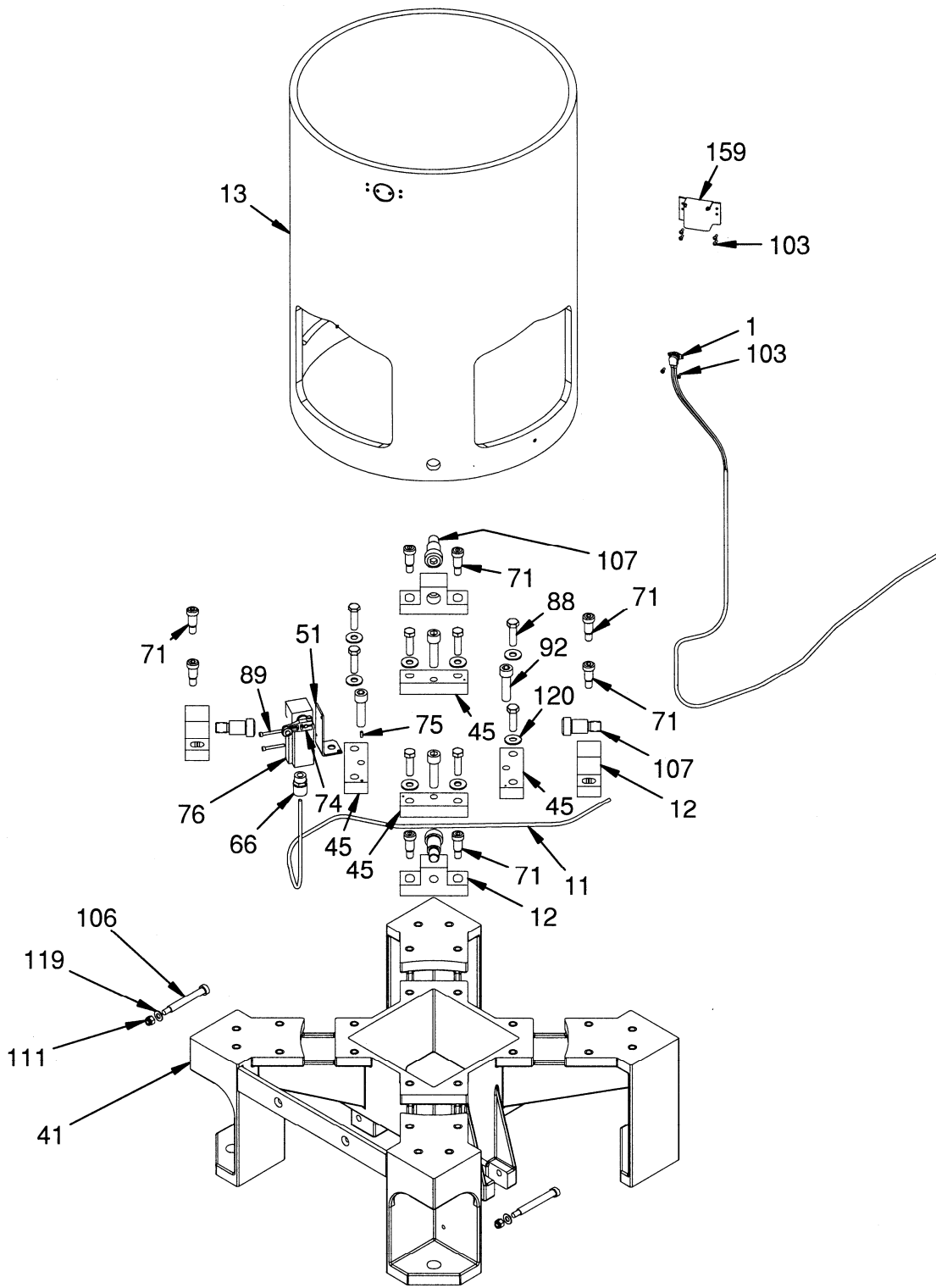


Figure 2J. CMU Lower Frame and Chamber Subassembly.

CMU Assembly

FIG. NO.	INDEX NO.	PART NUMBER	INDENT	DESCRIPTION	QTY PER ASSY
2	0	AJXXXXN7556811AY099	1	CMU ASSEMBLY (For NHA, see Figure 1)	
2	1	AJXXXXN7556843AY087	2	CABLE ASSEMBLY, CHAMBER THERMOSTAT TS3	1
2	2	AJXXXXN7556843AY086	2	CABLE ASSEMBLY, DOOR OVERTEMP SWITCH TS4	1
2	3	AJXXXXN7556843AY089	2	CABLE ASSEMBLY, DOOR THERMOSTAT TS1	1
2	4	AJXXXXN7556843AY085	2	CABLE ASSEMBLY, RAM OVERTEMP SWITCH TS5	1
2	5	AJXXXXN7556843AY088	2	CABLE ASSEMBLY, RAM THERMOSTAT TS2	1
2	6	AJXXXXN7556843AY096	2	CABLE ASSY, DOOR POWER P3	1
2	7	AJXXXXN7556843AY097	2	CABLE ASSY, RAM POWER P4	1
2	8	AJXXXXN7556811PC008	2	CABLE, LS1, 18 GA, 3 CONDUCTOR, SJOW PORTABLE CORD, 300 V, 90° C, .30 NOM DIA, 66" LG	1
2	9	AJXXXXN7556811PC009	2	CABLE, LS2, 18 GA, 3 CONDUCTOR, SJOW PORTABLE CORD, 300 V, 90° C, .30 NOM DIA, 69" LG	1
2	10	AJXXXXN7556811PC010	2	CABLE, LS3, 18 GA, 3 CONDUCTOR, SJOW PORTABLE CORD, 300 V, 90° C, .30 NOM DIA, 76" LG	1
2	11	AJXXXXN7556811PC011	2	CABLE, LS4, 18 GA, 3 CONDUCTOR, SJOW PORTABLE CORD, 300 V, 90° C, .30 NOM DIA X 114" LG	1
2	12	AJXXXXN7556827PC012	2	CHAMBER MOUNTING BRACKET	4
2	13	AJXXXXN7556822AY099	2	CHAMBER, 4-LEG	1
2	14	AJXXXXN7556823PC001	2	COOLING WATER MANIFOLD BLOCK	1
2	15	AJXXXXN7556827PC001	2	CYLINDER ROD RETAINER	2
2	16	AJXXXXN7556812AY099	2	DOOR ASSEMBLY (For Detail, see Figure 3)	1
2	17	AJXXXXN7556828AY099O R AJXXXXN7556830PC001	2	DOOR JAM BREAKER BAR ASSY	1
2	18	AJXXXXN7556827PC008	2	DOOR JAMB BREAKER BAR LATCH	1
2	19	AJXXXXN6961243PC043	2	DOOR LOCKED LIMIT SWITCH SPACER, LS-3	1
2	20	AJXXXXN6961210PC010	2	DOOR PIVOT STUD SPACER	AR
2	21	AJXXXXN6961248AY098	2	EXHAUST DUCT CONNECTOR	1

2	22	AJXXXXN6961248AY099	2	EXHAUST DUCT ELBOW	1
2	23	AJXXXXN7556827PC015	2	FLAG BRACKET, LS-2	1
2	24	AJXXXXN6961248PC006	2	GASKET	2
2	25	AJXXXXN7556824AY099	2	GUARD ASSEMBLY	3
2	26	AJXXXXN7556827AY098	2	HEX ADAPTER ASSY	1
2	27	AJXXXXN6961250PC025	2	HINGE, SAFETY COVER	2
2	28	AJXXXXN7556807AY097	2	HOSE ASSEMBLY, COOLING WATER, DOOR SUPPLY	1
2	29	AJXXXXN7556807AY096	2	HOSE ASSY, COOLING WATER, DOOR RETURN	1
2	30	AJXXXXN7556807AY098	2	HOSE ASSY, COOLING WATER, RAM SUPPLY AND RETURN	2
2	31	AJXXXXN7556811PC031	2	HOSE ASSY, DOOR AIR CYLINDER FRONT, .38 I.D. HOSE WITH FEMALE JIC -6 37° SWIVEL ENDS, BLACK, 84.00 LG OVERALL	1
2	32	AJXXXXN7556811PC032	2	HOSE ASSY, DOOR AIR CYLINDER, REAR, .38 I.D. HOSE WITH FEMALE JIC -6 37° SWIVEL ENDS, BLACK, 84.00 LG OVERALL	1
2	33	AJXXXXN7556811PC033	2	HOSE ASSY, RAM AIR CYLINDER BOTTOM, .38 I.D. HOSE WITH FEMALE JIC -6 37° SWIVEL ENDS, BLACK, 84.00 LG OVERALL	1
2	34	AJXXXXN7556811PC034	2	HOSE ASSY, RAM AIR CYLINDER TOP, .38 I.D. HOSE WITH FEMALE JIC -6 37° SWIVEL ENDS, 84.00 LG OVERALL	1
2	35	AJXXXXN7556811PC035	2	HOSE, WASHDOWN, .38 O.D. X .06 WALL, TRANSLUCENT WHITE TEFLON, 22.50 LG	4
2	36	AJXXXXN7556811PC036	2	HOSE, WASHDOWN, .38 O.D. X .06 WALL, TRANSLUCENT WHITE TEFLON, 32.50 LG	2
2	37	AJXXXXN7556811PC037	2	HOSE, WASHDOWN, .38 O.D. X .06 WALL, TRANSLUCENT WHITE TEFLON, 44.00 LG	2
2	38	AJXXXXN7556811PC038	2	HOSE, WASHDOWN, .38 O.D. X .06 WALL, TRANSLUCENT WHITE TEFLON, 61.00 LG	1
2	39	AJXXXXN6961243PC030	2	KEY, LOCKING LUG	4
2	40	AJXXXXN6961243PC029	2	LOCKING LUG	4
2	41	AJXXXXN7556813AY099 OR AJXXXXN7556814AY099	2	LOWER FRAME	1
2	42	AJXXXXN7556827PC009	2	NOZZLE BRACKET	4
2	43	AJXXXXN7556827PC010	2	PENDANT RECEIVER	4

2	44	AJXXXXN7556820AY099 OR AJXXXXN7556821AY099	2	RAM ADAPTER	1
2	45	AJXXXXN7556827PC011	2	RAM CYLINDER MOUNTING PAD	4
2	46	AJXXXXN7556842AY098	2	RAM WIRED ASSEMBLY	1
2	47	AJXXXXN7556831AY099 OR AJXXXXN7556829AY099	2	SAFETY COVER BRACKET ASSEMBLY, MODIFIED	1
2	48	AJXXXXN7556834AY099 OR AJXXXXN7556835AY099	2	SAFETY COVER ASSEMBLY (For Details, see Figure 4)	1
2	49	AJXXXXN6961243AY092	2	SHIM PACK	1
2	50	AJXXXXN7556835PC050	2	EXHAUST MUFFLER, 1/8" NPT	1
2	51	AJXXXXN7556827PC013	2	SWITCH MOUNTING BRACKET, LS-4	1
2	52	AJXXXXN7556827PC007	2	TRACK MOUNT, MOVING	1
2	53	AJXXXXN7556827PC005	2	TRACK MOUNT, STATIONARY	1
2	54	AJXXXXN7556827PC006	2	TRACK SUPPORT	1
2	55	AJXXXXN7556815AY097	2	UPPER FRAME ASSEMBLY, LEFT- FRONT	1
2	56	AJXXXXN7556815AY098	2	UPPER FRAME ASSEMBLY, LEFT- REAR	1
2	57	AJXXXXN7556815AY096	2	UPPER FRAME ASSEMBLY, RIGHT- FRONT	1
2	58	AJXXXXN7556815AY099	2	UPPER FRAME ASSEMBLY, RIGHT- REAR	1
2	59	AJXXXXN7556816AY099	2	UPPER FRAME TOP PLATE ASSEMBLY	1
2	60	AJXXXXN7556826PC001	2	WASHDOWN MANIFOLD	1
2	61	AJXXXXN7556811PC061	2	BALL STUD, Ø.39 BALL, .312-18UNC- 2A, STL ZINC PLATED	4
2	62	AJXXXXN7556811PC062	2	BUSHING, PLAIN, .75 I.D. X 1.25 O.D. X 1.00 LG, BRONZE, SAE 660	1
2	63	AJXXXXN7556811PC063	2	CABLE HANGER, DOUBLE, .375-.531 DIA, SST	4
2	64	AJXXXXN7556811PC064	2	CABLE HANGER, SINGLE, .375-.531 DIA, SST	2
2	65	AJXXXXN7556811PC065	2	CABLE TRACK, 35.84 LG (2.56 PITCH X 14 SEGMENTS), 3.50 X 1.33 CROSS SECTION WITH 1 SEPARATOR, NYLON	1
2	66	AJXXXXN7556811PC066	2	CORD CONNECTOR, 1/2" NPT, BLACK, .25"-.31" RANGE, WITH LOCKNUT	4
2	67	AJXXXXN7556811PC067	2	CYLINDER, AIR, Ø8.00 BORE X 13.00 STROKE, Ø1.375 ROD, 1/2" NPT PORTS, VITON SEALS (For Details, See Figure 7-12)	1

2	68	AJXXXXN7556811PC068	2	DETENT PIN, QUICK RELEASE, SHOULDER STYLE, RING GRIP, Ø.250 X 1.50 GRIP LENGTH, SST	1
2	69	AJXXXXN7556811PC069	2	QUICK RELEASE PIN, PUSHBUTTON RELEASE, SHOULDER STYLE, RING GRIP Ø.250 X 4.00 GRIP LG, SST	4
2	70	AJXXXXN7556811PC070	2	GAS SPRING, 90#, 17.00 EXTENDED LENGTH, 6.00 STROKE, Ø.39 BALL STUD ENDS	2
2	71	AJXXXXN7556811PC071	2	SHOULDER SCREW, HEX SOC HD, Ø.625 X 1.00 LG, SST 18-8	8
2	72	AJXXXXN7556811PC072	2	LANYARD, EYE X LOOP, 12.00 LG, Ø 1/8", 7X7, SST WIRE ROPE WITH CLEAR NYLON CASING	5
2	73	AJXXXXN7556811PC073	2	LATCH, PULL ACTION, TOGGLE LOCK HANDLE, 700 LB CAPACITY, SST	1
2	74	AJXXXXN7556811PC074	2	LIMIT SWITCH ARM, STANDARD ROLLER LEVER, FIXED LENGTH	4
2	75	AJXXXXN7556811PC075	2	DOWEL PIN, HARDENED, Ø .1876 -.1878 X .38 LG, SST 416	1
2	76	AJXXXXN7556811PC076	2	LIMIT SWITCH, HDLS SERIES, SIDE ROTARY HEAD, NON PLUG-IN STYLE, SPDT, 1/2" NPT CONDUIT	4
2	77	AJXXXXN7556811PC077	2	LOOP STRAP, 3/8" NOM I.D., SST 304 W/ SILICONE RUBBER LINER	6
2	78	AJXXXXN7556811PC078	2	LOOP STRAP, 7/8" NOM I.D., SST 304 W/ SILICONE RUBBER LINER	3
2	79	AJXXXXN7556811PC079	2	SHOCK ABSORBER	2
2	80	AJXXXXN7556811PC080	2	THRUST WASHER, .81 I.D. X 2.00 O.D. X .13 THK, SST 17-7PH	1
2	81	AJXXXXN7556811PC081	2	CAP SCREW, HEX HD, .250-20UNC-2A X .50 LG, SST 18-8	6
2	82	AJXXXXN7556811PC082	2	CAP SCREW, HEX HD, .250-20UNC-2A X .75 LG, SST 18-8	8
2	83	AJXXXXN7556811PC083	2	CAP SCREW, HEX HD, .250-20UNC-2A X 1.00 LG, SST 18-8	8
2	84	AJXXXXN7556811PC084	2	CAP SCREW, HEX HD, .312-18UNC-2A X 1.00 LG, SST 18-8	6
2	85	AJXXXXN7556811PC085	2	CAP SCREW, HEX HD, .375-16UNC-2A X .75 LG, SST 18-8	11
2	86	AJXXXXN7556811PC086	2	CAP SCREW, HEX HD, .375-16UNC-2A X 1.25 LG, SST 18-8	4

2	87	AJXXXXN7556811PC087	2	CAP SCREW, HEX HD, .375-16UNC-2A X 4.00 LG, SST 18-8	2
2	88	AJXXXXN7556811PC088	2	CAP SCREW, HEX HD, .500-13UNC-2A X 1.75 LG, SST 18-8	18
2	89	AJXXXXN7556811PC089	2	CAP SCREW, SOC HD, #10(.190)-32UNF-2A X 1.75 LG, SST 18-8	6
2	90	AJXXXXN7556811PC090	2	CAP SCREW, SOC HD, #10(.190)-32UNF-2A X 2.50 LG, SST 18-8	2
2	91	AJXXXXN7556811PC091	2	CAP SCREW, SOC HD, .500-13UNC-2A X 1.75 LG, SST 18-8	8
2	92	AJXXXXN7556811PC092	2	CAP SCREW, SOC HD, .625-11UNC-2A X 2.25 LG, SST 18-8	4
2	93	AJXXXXN7556811PC093	2	CAP SCREW, SOC HD, .750-10UNC-2A X 2.00 LG, SST 18-8	8
2	94	AJXXXXN7556811PC094	2	CAP SCREW, SOC HD, .750-10UNC-2A X 4.00 LG, SST 18-8	7
2	95	AJXXXXN7556811PC095	2	CAP SCREW, SOC HD, .750-10UNC-2A X 5.00 LG, SST 18-8	1
2	96	AJXXXXN7556811PC096	2	CAP SCREW, HEX SOC BUTTON HD, #10(.190)-24UNC-2A X .50 LG, SST 18-8	2
2	97	AJXXXXN7556811PC097	2	CAP SCREW, HEX SOC BUTTON HD, #10(.190)-32UNF-2A X .50 LG, SST 18-8	5
2	98	AJXXXXN7556811PC098	2	CAP SCREW, HEX SOC BUTTON HD, .250-20UNC-2A X .50 LG, SST 18-8	31
2	99	AJXXXXN7556811PC099	2	CAP SCREW, HEX SOC FLAT HEAD, 82°, .375-16UNC-3A X .75 LG., SST 18-8	3
2	100	AJXXXXN7556811PC100	2	CAP SCREW, HEX SOC FLAT HEAD, 82°, .625-11UNC-3A X 3.00 LG., SST 18-8	2
2	101	AJXXXXN7556811PC101	2	CAP SCREW, HEX SOCKET FLAT HEAD, 82°, .250-20UNC-2A X 2.00 LG., SST 18-8	2
2	102	AJXXXXN7556811PC102	2	MACHINE SCREW, HEX SOCKET FLAT HEAD, 82°, #10(190)-32UNF-2A X .75 LG., SST 18-8	8
2	103	AJXXXXN7556811PC103	2	MACHINE SCREW, PAN HEAD SLOTTED, #6(.138)-32UNC-2A X .38 LG, SST 18-8	14
2	104	AJXXXXN7556811PC104	2	CAP SCREW, HEX SOCKET FLAT HEAD, 82°, .250-20UNC-2A X 3.50 LG, SST 18-8	4
2	105	AJXXXXN7556827PC004	2	TRACK MOUNT ISOLATOR	1
2	106	AJXXXXN7556811PC106	2	SHOULDER SCREW, HEX SOC HEAD, Ø .500 X 3.50 LG, SST 18-8	4
2	107	AJXXXXN7556811PC107	2	SHOULDER SCREW, HEX SOC HEAD, Ø1.00 X 1.25 LG, SST 18-8	4
2	108	AJXXXXN7556811PC108	2	SET SCREW, SOCKET HD, CUP POINT, #10-32UNC-2B x .38 LG, SST 18-8	4
2	109	AJXXXXN7556811PC109	2	CAP SCREW, HEX HD, .375-16UNC-2A X 3.00 LG, THREADED FULL LENGTH, SST 18-8	1

2	110	AJXXXXN7556811PC110	2	THREAD LOCKING COMPOUND, REMOVABLE TYPE (PURPLE)	AR
2	111	AJXXXXN7556811PC111	2	NUT, FLEX TOP LOCK (ALL METAL), .375-16UNC-2B, SST 18-8	10
2	112	AJXXXXN7556811PC112	2	NUT, ELASTIC LOCK, .250-20UNC-2B, SST 18-8	26
2	113	AJXXXXN7556811PC113	2	CAP SCREW, HEX SOC BUTTON HD, .250-20UNC-3A X 1.25 LG, SST 18-8	4
2	114	AJXXXXN7556811PC114	2	NUT, ELASTIC LOCK, .750-10UNC-2B, SST 316	1
2	115	AJXXXXN7556811PC115	2	NUT, HEX, .375-16UNC-2B, SST 18-8	8
2	116	AJXXXXN7556811PC116	2	WASHER, FLAT, .62 NOM, SST 18-8	AR
2	117	AJXXXXN7556811PC117	2	WASHER, FLAT, .250 NOM, SST 18-8	22
2	118	AJXXXXN7556811PC118	2	WASHER, FLAT, .312 NOM, SST 18-8	6
2	119	AJXXXXN7556811PC119	2	WASHER, FLAT, .375 NOM, SST 18-8	19
2	120	AJXXXXN7556811PC120	2	WASHER, FLAT, .500 NOM, SST 18-8	16
2	121	AJXXXXN7556811PC121	2	WASHER, THICK, Ø.250 NOMINAL (.281 I.D. X .625 O.D. X .188 THK), SST 18-8	8
2	122	AJXXXXN7556811PC122	2	BEVELED WASHER, 3/8" NOMINAL, ALUMINUM	2
2	123	AJXXXXN7556811PC123	2	BULKHEAD FEMALE CONNECTOR, 3/8 O.D. TUBE (COMPRESSION) X 1/4" NPT, BRASS	5
2	124	AJXXXXN7556811PC124	2	BULKHEAD MALE CONNECTOR, 1/4" NPT X 3/8 O.D. TUBE (COMPRESSION), BRASS	2
2	125	AJXXXXN7556811PC125	2	THREAD LOCKING COMPOUND, HIGH TEMPERATURE (RED)	AR
2	126	AJXXXXN7556811PC126	2	COUPLING, 1/4" NPT, BRASS	8
2	127	AJXXXXN7556811PC127	2	ELBOW, 45°, -8 FEMALE 37° FLARE SWIVEL X -8 MALE 37° FLARE, BRASS	2
2	128	AJXXXXN7556811PC128	2	ELBOW, 45°, .375 NPT MALE X -6 MALE 37° FLARE, BRASS	2
2	129	AJXXXXN7556811PC129	2	ELBOW, 90°, -6 37° FEMALE FLARE SWIVEL X -6 37° MALE FLARE, BRASS	2

2	130	AJXXXXN7556811PC130	2	ELBOW, 90°, -8 FEMALE 37° FLARE SWIVEL X -8 MALE 37° FLARE, BRASS	4
2	131	AJXXXXN7556811PC131	2	ELBOW, 90°, 3/8" NPT FEMALE, 125 PSI MIN, BRASS	1
2	132	AJXXXXN7556811PC132	2	HOSE CONNECTOR WITH WASHER, SWIVEL, 3/8" MALE NPT X FEMALE GARDEN HOSE, BRASS	1
2	133	AJXXXXN7556811PC133	2	MALE CONNECTOR, 1/2" NPT X -6 37° FLARE, BRASS	2
2	134	AJXXXXN7556811PC134	2	MALE CONNECTOR, 1/2" NPT X -8 37° FLARE, BRASS	4
2	135	AJXXXXN7556811PC135	2	MALE CONNECTOR, 3/4" MALE NPT X -12 37° FLARE, BRASS	2
2	136	AJXXXXN7556811PC136	2	MALE CONNECTOR, 3/8 O.D. TUBE (COMPRESSION) X 1/4" NPT, BRASS	4
2	137	AJXXXXN7556811PC137	2	MALE ELBOW, 3/8" O.D. TUBE (COMPRESSION) X 1/4" NPT, BRASS	5
2	138	AJXXXXN7556811PC138	2	NOZZLE, 60° FULL CONE SPRAY, 1 GPM @ 40 PSI, 1/4" NPT MALE, BRASS	1
2	139	AJXXXXN7556811PC139	2	NOZZLE, DEFLECTED FLAT FAN SPRAY, 1 GPM @ 40 PSI, 1/4" NPT MALE, BRASS	4
2	140	AJXXXXN7556811PC140	2	NOZZLE, RIGHT ANGLE, 70° HOLLOW CONE SPRAY, 1 GPM @ 40 PSI, 1/4" NPT MALE, BRASS	4
2	141	AJXXXXN7556811PC141	2	PIPE NIPPLE, 1/4" SCH 40 X 3.00 LG, THREADED BOTH ENDS, BRASS	4
2	142	AJXXXXN7556811PC142	2	PIPE NIPPLE, 3/8" SCH 40 X 4.00 LG, THREADED BOTH ENDS, BRASS	1
2	143	AJXXXXN7556811PC143	2	PIPE PLUG, 1/4" NPT, HEX HEAD, BRASS	2
2	144	AJXXXXN7556811PC144	2	ANTI-SEIZE COMPOUND	AR
2	145	AJXXXXN7556811PC145	2	GREASE, HIGH TEMPERATURE, MULTI-PURPOSE, DOD-G-24508	AR
2	146	AJXXXXN7556811PC146	2	PIPE THREAD SEALANT WITH TEFLON	AR
2	147	AJXXXXN7556811PC147	2	THREAD LOCKING COMPOUND, REMOVABLE TYPE (BLUE)	AR
2	148	AJXXXXN7556811PC148	2	MARKER PLATE, .38 X 3.50 LG, SST	16
2	149	AJXXXXN7556811PC149	2	WIRE TIE, .18 WIDE X 5.0 LG X .010 TK	32
2	150	AJXXXXN7556811PC150	2	WIRE TIE, SELF LOCKING, .18 WIDE X 7.0 MIN LG, 302° F MIN TEMPERATURE, BLUE	AR

2	151	AJXXXXN7556811PC151	2	WIRE TIE, SELF LOCKING, .18 WIDE X 7.0 MIN LG, BREAKING STRENGTH = 40 LBS MIN, NATURAL	AR
2	152	AJXXXXN7556833PC013	2	NAMEPLATE, CMU	1
2	153	AJXXXXN7556833PC015	2	LABEL, WARNING, SAFETY COVER	1
2	154	AJXXXXN7556833PC016	2	LABEL, HAZARD, HOT SURFACE	1
2	155	AJXXXXN7556833PC014	2	LABEL, SIDE AND FRONT GUARD	3
2	156	AJXXXXN7556811PC156	2	POP-RIVIT, Ø.125 X .25-.31 GRIP LENGTH, DOME HEAD, SST	4
2	157	AJXXXXN7556827PC017	2	PENDANT RETAINER BRACKET	2
2	158	AJXXXXN7556811PC158	2	MALE CONNECTOR, 45°, 3/8" O.D. TUBE (COMPRESSION) X 1/4" NPT	4
2	159	AJXXXXN7556827PC019 OR AJXXXXN7556827PC020	2	TS3 SHIELD	1
2	160	AJXXXXN7556811PC160	2	LABEL, MACLUBE	1
2	161	AJXXXXN7556811PC161	2	THERMOSTAT ASSY, 350°, YELLOW	2
2	162	AJXXXXN7556811PC162	2	THERMOSTAT ASSY, 150°, GREEN	1
2	163	AJXXXXN7556811PC163	2	THERMOSTAT ASSY, 400°, RED	2

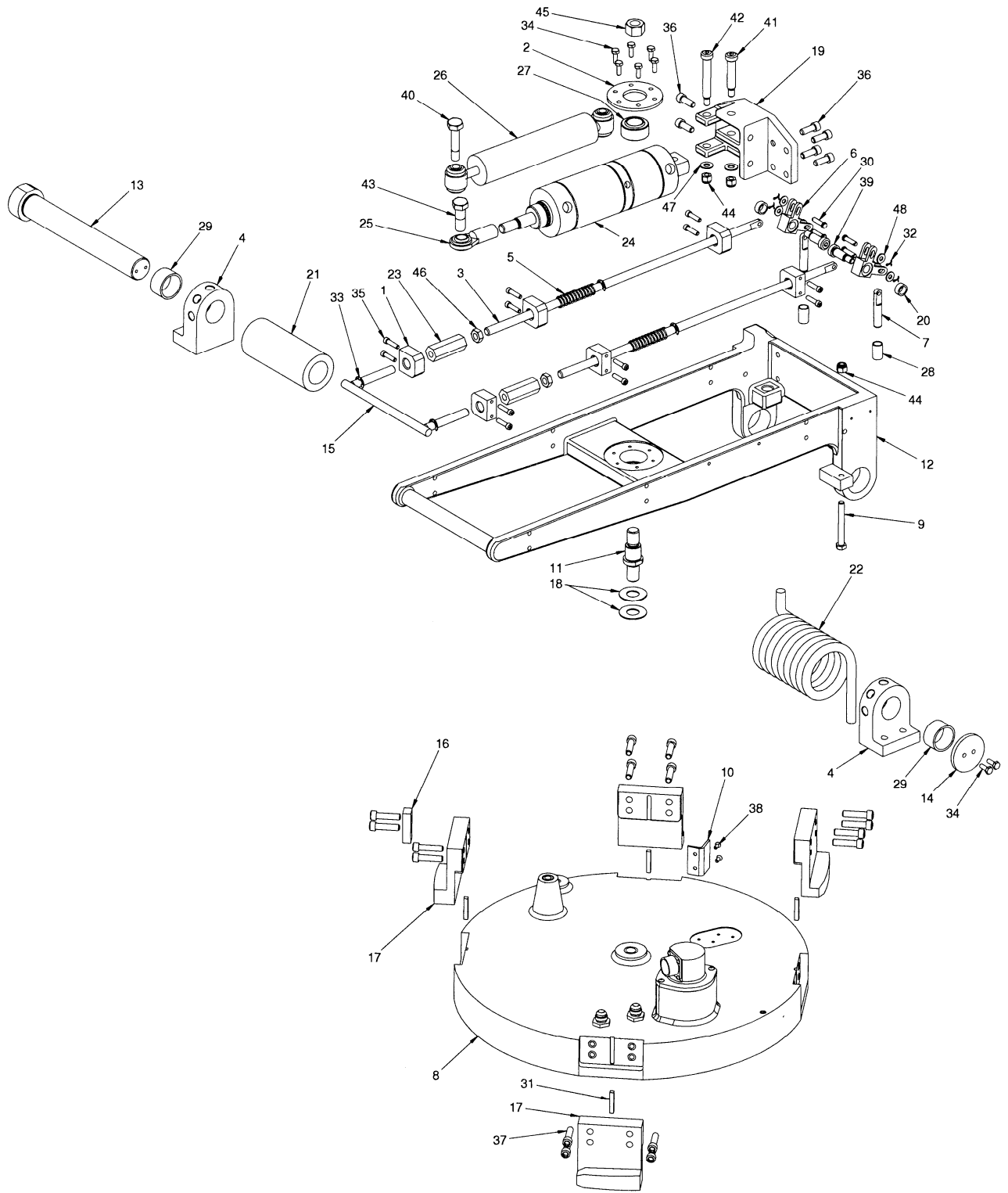


Figure 3. CMU Door Assembly.

CMU Door Assembly.

FIG. NO.	INDEX NO.	PART NUMBER	INDENT	DESCRIPTION	QTY PER ASSY
3	0	AJXXXXN7556812AY099	1	CMU DOOR ASSEMBLY (For NHA, see Figure 2)	
3	1	AJXXXXN6961210PC006	2	BEARING BLOCK	6
3	2	AJXXXXN6961210PC031	2	BEARING RETAINER	1
3	3	AJXXXXN6961210PC003	2	BEARING ROD	2
3	4	AJXXXXN6961210PC065	2	BRACKET, HINGE PIN	2
3	5	AJXXXXN6961210PC019	2	COMPRESSION SPRING	2
3	6	AJXXXXN6961210PC009	2	CRANK ARM	2
3	7	AJXXXXN6961210PC002	2	DETENT ROD	2
3	8	AJXXXXN7556842AY099	2	DOOR WIRED ASSEMBLY	1
3	9	AJXXXXN7556812PC009	2	DOOR CLOSED FLAG BOLT, CAP SCREW, HEX HD, .375-16UNC-2A X 3.00 LG, THREADED FULL LENGTH, SST 18-8	1
3	10	AJXXXXN6961210PC045	2	DOOR LOCKED SWITCH FLAG	1
3	11	AJXXXXN6961210PC042	2	DOOR PIVOT STUD	1
3	12	AJXXXXN7556832AY099 OR AJXXXXN7556836AY099	2	HINGE BRACKET	1
3	13	AJXXXXN6961210PC005	2	HINGE PIN	1
3	14	AJXXXXN6961210PC037	2	HINGE PIN RETAINER	1
3	15	AJXXXXN6961210AY097	2	LATCH HANDLE WELDMENT	1
3	16	AJXXXXN7556827PC014	2	LUG, JAM RELEASE	1
3	17	AJXXXXN6961210PC033	2	PIVOT LUG	4
3	18	AJXXXXN6961210PC010	2	DOOR PIVOT STUD SPACER	2
3	19	AJXXXXN7556825PC001	2	SHOCK MOUNT	1
3	20	AJXXXXN6961210PC041	2	SPACER	2
3	21	AJXXXXN6961210PC058	2	SPRING SPACER	1
3	22	AJXXXXN6961210PC057	2	TORSION SPRING	1
3	23	AJXXXXN6961210PC022	2	TURNBUCKLE NUT	2
3	24	AJXXXXN7556812PC024	2	CYLINDER, AIR, Ø3.00 X 3.25 STROKE, Ø.750 ROD, 3/8" NPT PORTS	1
3	25	AJXXXXN7556812PC025	2	ROD END, SPHERICAL BEARING, Ø.625 BORE, .625-18UNF-2B FEMALE THREAD, TEMP RATING 250° F	1
3	26	AJXXXXN7556812PC026	2	SHOCK ABSORBER	1
3	27	AJXXXXN7556812PC027	2	SPHERICAL BEARING, NARROW, PLAIN, Ø1.000 BORE, 1.750 O.D., .797 OUTER RACE WIDTH, 1.000 BALL WIDTH	1
3	28	AJXXXXN7556812PC028	2	BEARING, LUBED FOR 250° F, .503-.504 I.D. X .6265-.6275 O.D. X 1.00 LG, SINTERED BRZ, ASTM B438, GRADE 1, TYPE II	2

3	29	AJXXXXN7556812PC029	2	BEARING, LUBED FOR 250° F, 1.502-1.503 I.D. X 1.753-1.754 O.D. X .995-1.005 LG, SINTERED BRZ, ASTM B438, GRADE 1, TYPE II	2
3	30	AJXXXXN7556812PC030	2	CLEVIS PIN, Ø.25 X 1.00 LG, SST 18-8	4
3	31	AJXXXXN7556812PC031	2	KEY, .250 SQUARE X 1.50 LG, SST 304	4
3	32	AJXXXXN7556812PC032	2	PIN, COTTER, Ø.062 x .50 LG, SST 18-8	4
3	33	AJXXXXN7556812PC033	2	SNAP RING, E TYPE, Ø.500 SHAFT, SST PH15-7MO	4
3	34	AJXXXXN7556812PC034	2	CAP SCREW, HEX HD, .250-20UNC-2A X .75 LG, SILICON BRONZE	8
3	35	AJXXXXN7556812PC035	2	CAP SCREW, SOC HD, .250-20UNC-2A X 1.00 LG, SST 18-8	12
3	36	AJXXXXN7556812PC036	2	CAP SCREW, SOC HD, .375-16UNC-2A X 1.00 LG, SST 18-8	6
3	37	AJXXXXN7556812PC037	2	CAP SCREW, SOC HD, .375-16UNC-2A X 1.50 LG, SST 18-8	16
3	38	AJXXXXN7556812PC038	2	CAP SCREW, HEX SOC FLAT HEAD, 82°, #10(.190)-32UNF-2A X .50 LG, SST 18-8	2
3	39	AJXXXXN7556812PC039	2	SHOULDER SCREW, HEX SOC HEAD, Ø.500 X 1.00 LG, SST 18-8	2
3	40	AJXXXXN7556827PC018	2	SHOCK ABSORBER MOUNTING BOLT	1
3	41	AJXXXXN7556812PC041	2	SHOULDER SCREW, HEX SOC HEAD, Ø.500 X 2.00 LG, SST 18-8	1
3	42	AJXXXXN7556812PC042	2	SHOULDER SCREW, HEX SOC HEAD, Ø.500 X 2.75 LG, SST 18-8	1
3	43	AJXXXXN7556827PC016	2	DOOR AIR CYLINDER MOUNTING BOLT	1
3	44	AJXXXXN7556812PC044	2	NUT, ELASTIC LOCK, .375-16UNC-2B, SST 18-8	3
3	45	AJXXXXN7556812PC045	2	NUT, HEX, .750-10UNC-2B, SST 18-8	1
3	46	AJXXXXN7556812PC046	2	NUT, JAM, .500-13UNC-2B, BRASS	2
3	47	AJXXXXN7556812PC047	2	WASHER, FLAT, .375 NOM, SST 18-8	2
3	48	AJXXXXN7556812PC048	2	WASHER, FLAT, .250 NOM SST 18-8	4
3	49	AJXXXXN7556812PC049	2	ANTI-SEIZE COMPOUND	AR
3	50	AJXXXXN7556812PC050	2	THREAD LOCKING COMPOUND, HIGH TEMPERATURE (RED)	AR
3	51	AJXXXXN7556812PC051	2	THREAD LOCKING COMPOUND, REMOVABLE TYPE (BLUE)	AR

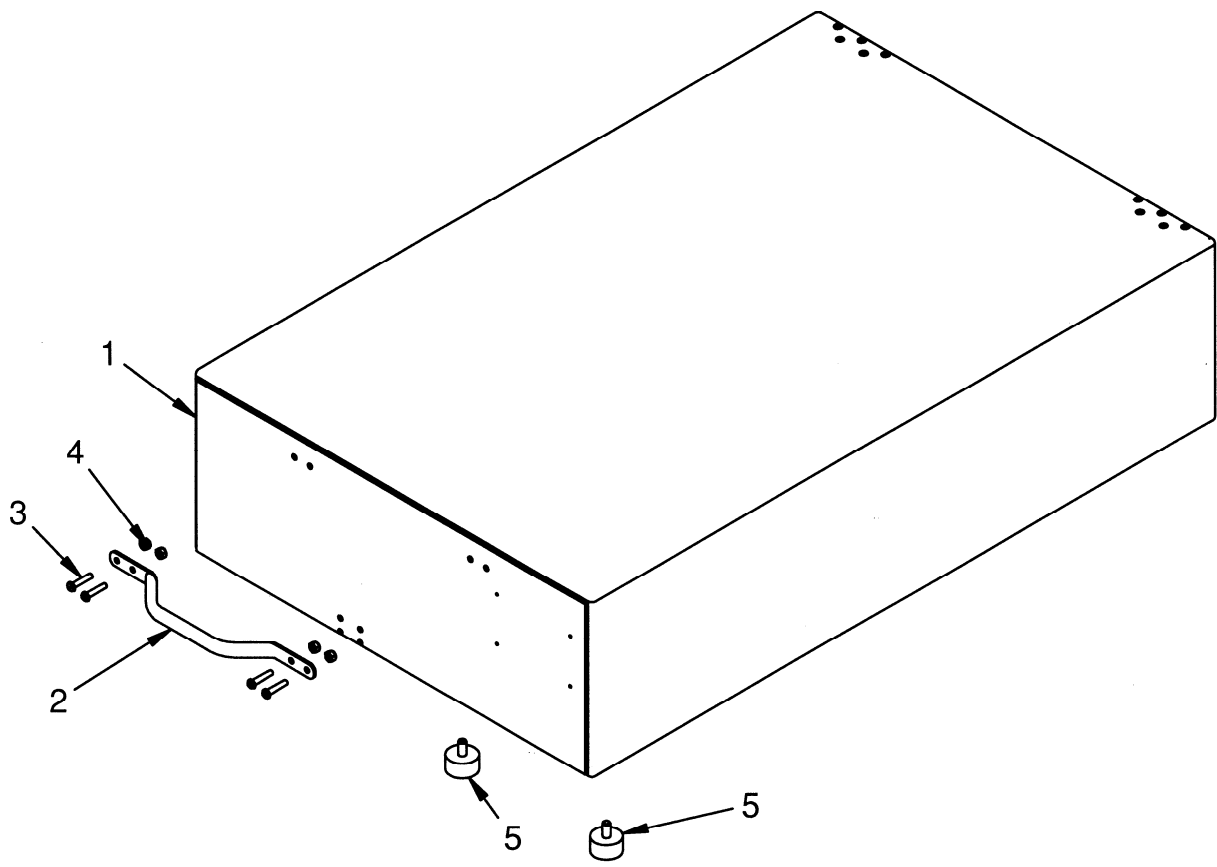


Figure 4. CMU Safety Cover Assembly.

CMU Safety Cover Assembly

FIG. NO.	INDEX NO.	PART NUMBER	INDENT	DESCRIPTION	QTY PER ASSY
4	0	AJXXXXN7556834AY099 OR AJXXXXN7556835AY099	1	CMU SAFETY COVER ASSEMBLY (For NHA, see Figure 2)	
4	1	AJXXXXN6961250AY098 AND AJXXXXN6961250AY097 OR AJXXXXN7556835AY098	2	SAFETY COVER WELDMENT	1
4	2	AJXXXXN7556834PC002 OR AJXXXXN7556835PC016	2	ASSIST HANDLE, OVERALL LENGTH 13.00, MOUNING HOLES 10.12 AND 12.12 ON CENTER, .50 DIA ROD, 7.00 GRIP LENGTH, DRILLED AND C'SUNK FOR .25 DIA SCREWS, STL, CHROME PLATED	1
4	3	AJXXXXN7556834PC003 OR AJXXXXN7556835PC019	2	MACHINE SCREW, OVAL HEAD PHILLIPS, .250-20UNC-2A X 1.25 LG, SST 18-8	4
4	4	AJXXXXN7556834PC004 OR AJXXXXN7556835PC020	2	NUT, ELASTIC LOCK, .250-20UNC-2B, SST 18-8	4
4	5	AJXXXXN7556834PC005 OR AJXXXXN7556835PC017	2	BUMPER, METAL CORE, NEOPRENE RUBBER - 1.50 DIA X .81 HT, ZINC PLATED STEEL STUD - .375-16UNC-2A X .75 LG	2
4	6	AJXXXXN7556834PC006 OR AJXXXXN7556835PC021	2	ANTI-SEIZE COMPOUND	AR

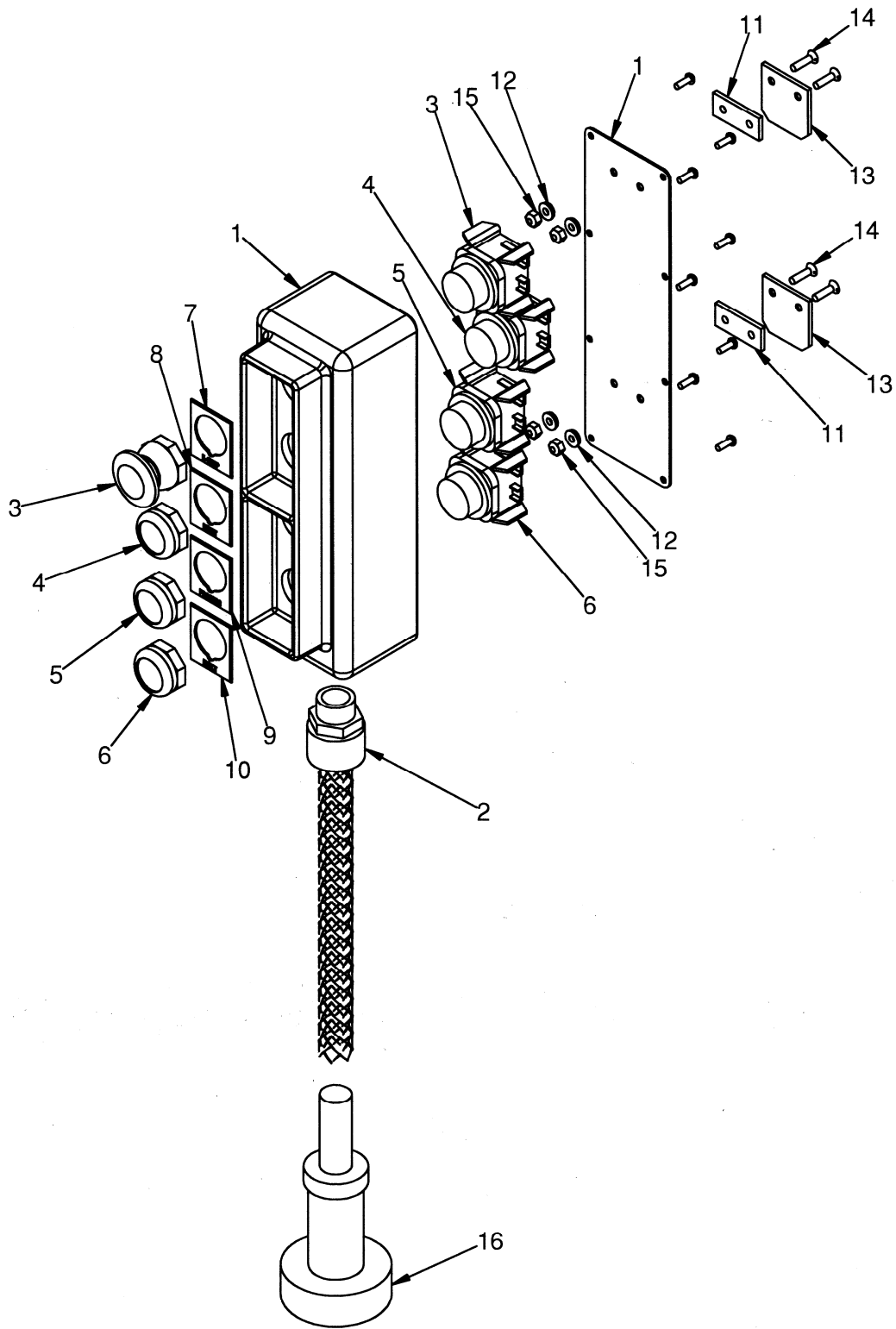


Figure 5. CMU Pendant Assembly.

CMU Pendant Assembly

FIG. NO.	INDEX NO.	PART NUMBER	INDENT	DESCRIPTION	QTY PER ASSY
5	0	AJXXXXN7556841AY099	1	CMU PENDANT ASSEMBLY (For NHA, see Figure 1)	
5	1	AJXXXXN7556841PC001	2	PENDANT, SUPER SAFEWAY PUSHBUTTON ENCLOSURE, FOR 30.5mm PUSHBUTTON, 4 OPENINGS	1
5	2	AJXXXXN7556841PC002	2	WIRE MESH CABLE GRIP, F4, .87 - 1.00 CABLE DIA. RANGE, SST	1
5	3	AJXXXXN7556841PC003	2	PUSHBUTTON, 30.5 mm, NEMA TYPE 4X, 2 POSITION PUSH-PULL/TWIST, MAINTAINED IN, MAINTAINED OUT, JUMBO MUSHROOM HEAD, RED	1
5	4	AJXXXXN7556841PC004	2	PUSHBUTTON, 30.5 mm NEMA TYPE 4X, FLUSH HEAD, GREEN	1
5	5	AJXXXXN7556841PC005	2	PUSHBUTTON, 30.5 mm NEMA TYPE 4X, FLUSH HEAD, ORANGE	1
5	6	AJXXXXN7556841PC006	2	PUSHBUTTON, 30.5 mm NEMA TYPE 4X, FLUSH HEAD, BLACK	1
5	7	AJXXXXN7556833PC024	2	NAMEPLATE, E-STOP, 30.5 mm, CUSTOM, SCRATCH PROOF FINISH	1
5	8	AJXXXXN7556833PC025	2	NAMEPLATE, RESET, 30.5 mm, CUSTOM, SCRATCH PROFF FINISH	1
5	9	AJXXXXN7556833PC026	2	NAMEPLATE, PROCESS, 30.5 mm, CUSTOM, SCRATCH PROOF FINISH	1
5	10	AJXXXXN7556833PC027	2	NAMEPLATE, EJECT, 30.5 mm, CUSTOM, SCRATCH PROOF FINISH	1
5	11	AJXXXXN7556841PC011	2	PENDANT SPACER, (.75" X 1.75" X .12 THK.), SST 304, ASTM A240	2
5	12	AJXXXXN7556841PC012	2	SEALING WASHER BONDED NEOPRENE TYPE, FOR .190 SCREW SIZE, .500 NOM. OD	4
5	13	AJXXXXN7556841PC013	2	PENDANT HANGER, (1.75" X 1.75" X .12 THK.), SST 304, ASTM A240	2
5	14	AJXXXXN7556841PC014	2	SCREW, HEX SOCKET FLAT HEAD, 82°, #10 (.190) -32UNF-3A X .75 LG., SST 18-8	4
5	15	AJXXXXN7556841PC015	2	ELASTIC LOCK NUT, .190-32 UNF-3B, SST 18-8	4
5	16	AJXXXXN7556843AY099	2	PENDANT CABLE ASSEMBLY, W108	1

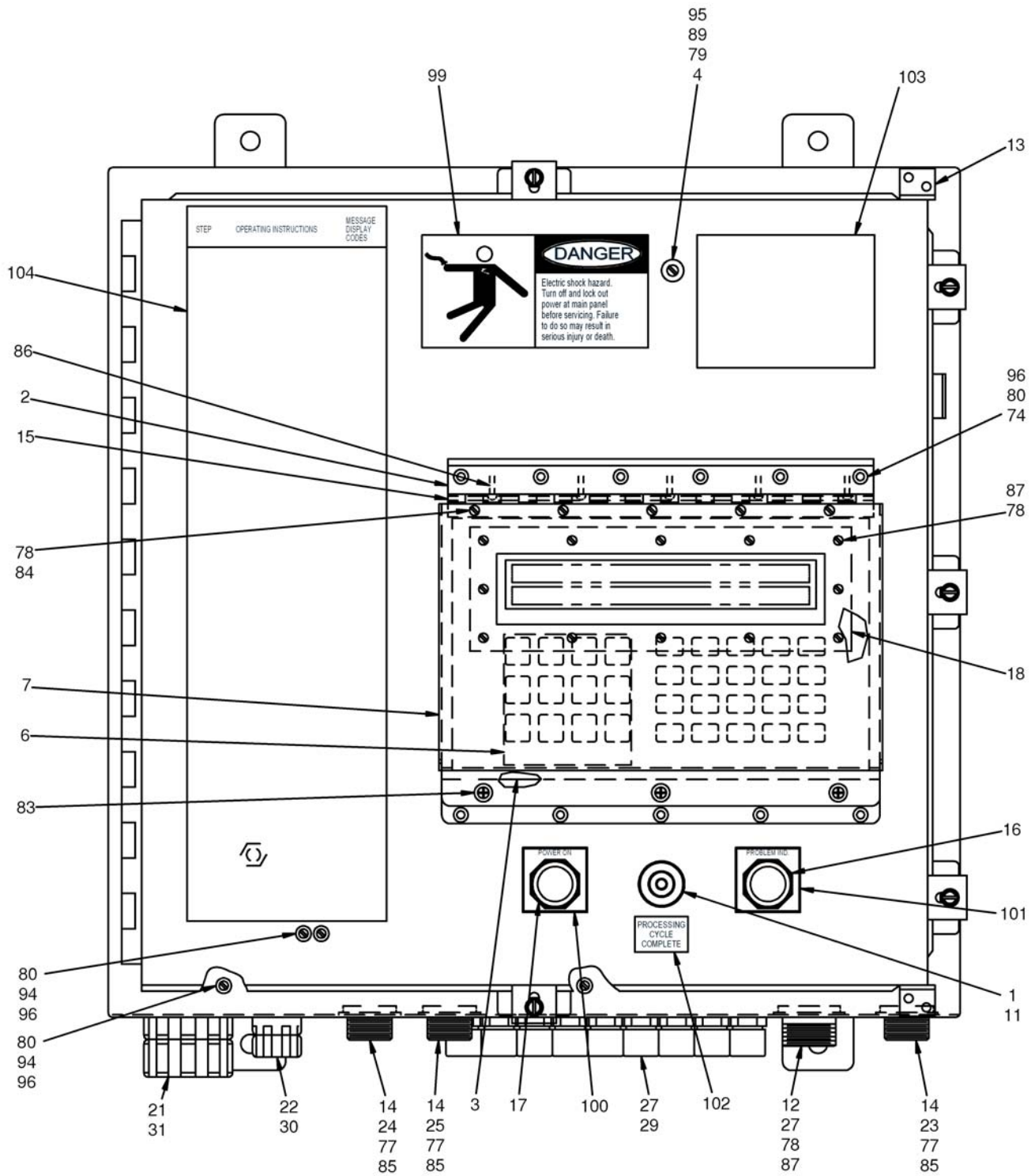


Figure 6. CMU Rear Electrical Enclosure Assembly (sheet 1 of 3)

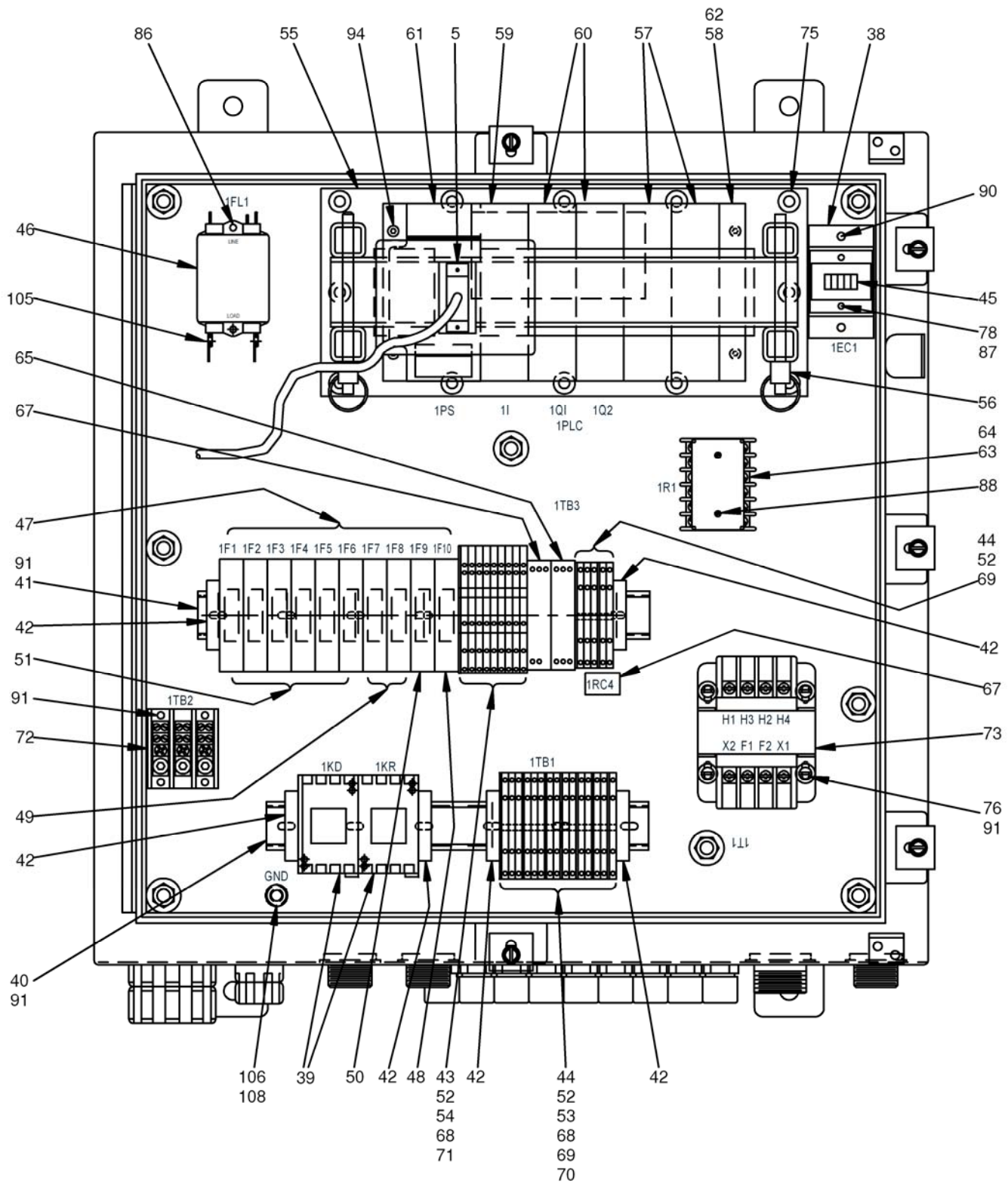


Figure 7. CMU Rear Electrical Enclosure Assembly (Sheet 2 of 3)

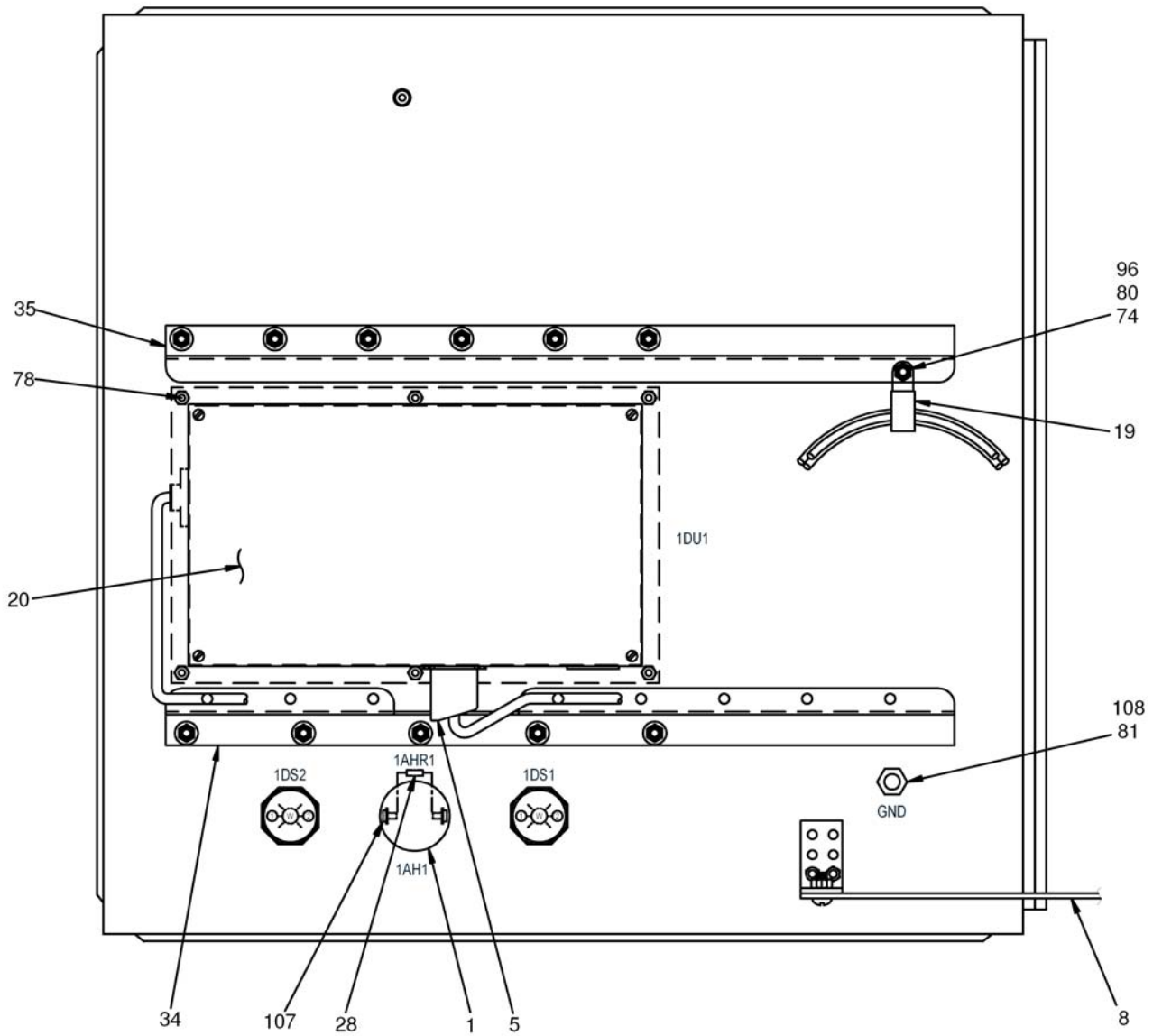


Figure 6. CMU Rear Electrical Enclosure Assembly (sheet 3 of 3)

CMU Rear Electrical Enclosure Assembly

FIG. NO.	INDEX NO.	PART NUMBER	INDENT	DESCRIPTION	QTY PER ASSY
6	0	AJXXXXN7556845AY099	1	CMU REAR ELECTRICAL ENCLOSURE ASSEMBLY (For NHA, see Figure 3)	
6	1	AJXXXXN7556845PC001	2	ALARM,4500 HZ 120 VAC, 80 DB	1
6	2	AJXXXXN7556845PC002	2	BAR, HINGE, .44 X 1.00 X 12.00, SST 304, ASTM A276 OR A240	1
6	3	AJXXXXN7556845PC003	2	HOLD DOWN BAR (1.25 X .32 X 12.25 LG), SST 304, ASTM A276 OR A240	1
6	4	AJXXXXN7556845PC004	2	BUMPER (DIA .625 X .44 HT) W/C BORE HOLE FOR #8 SCREW, RUBBER	1
6	5	AJXXXXN7556843AY095	2	DISPLAY UNIT CABLE ASSEMBLY	1
6	6	AJXXXXN7556833PC030	2	MESSAGE DISPLAY UNIT FUNCTION KEYS LABEL	1
6	7	AJXXXXN7556845PC008	2	DISPLAY UNIT COVER (12.40 X 8.53 X 14 GA)	1
6	8	AJXXXXN7556845PC009	2	ENCLOSURE DOOR STOP	1
6	9	AJXXXXN7556845PC010	2	GASKET, HINGE BAR, CLOSED CELL FOAM, -103° TO 347° F (MIN) 12.00 X 1.00 X.06 THK, SILICONE SPONGE RUBBER	1
6	10	AJXXXXN7556845PC011	2	GASKET, HOLD DOWN BAR, CLOSED CELL FOAM, -103° TO 347° F (MIN) 12.25 X 1.25 X.06 THK, SILICONE SPONGE RUBBER	1
6	11	AJXXXXN7556845PC012	2	GASKET, PROCESSING CYCLE COMPL. ALARM, 1.12 ID X 1.75 OD X .06 THK, SILICONE SPONGE RUBBER	1
6	12	AJXXXXN7556845PC013	2	GASKET, RECEPTACLE, CLOSED CELL FOAM -103° TO 347° F (MIN) 2.00 X 2.00 X.06 THK, SILICONE SPONGE RUBBER	1

FIG. NO.	INDEX NO.	PART NUMBER	INDENT	DESCRIPTION	QTY PER ASSY
6	13	AJXXXXN7556845PC014	2	DOOR GUIDE ANGLE, 1.00 X 1.00 X .12 X 1.00 LG, SST 304	2
6	14	AJXXXXN7556845PC015	2	GASKET, RECEPTACLE, CLOSED CELL FOAM -103° TO 347° F (MIN) 1.50 X 1.50 X.06 THK, SILICONE SPONGE RUBBER	1
6	15	AJXXXXN7556845PC016	2	HINGE, CONTINUOUS (1.06 OPEN WIDTH X .06 THK X 12.00 LG, .12 PIN DIA), SST	1
6	16	AJXXXXN7556845PC017	2	INDICATOR, RED, 120 VAC	1
6	17	AJXXXXN7556845PC018	2	INDICATOR, WHITE, 120 VAC	1
6	18	AJXXXXN7556845PC019	2	LENS, DISPLAY UNIT, MAR RESISTANT, POLYCARBONATE	1
6	19	AJXXXXN7556845PC020	2	LOOP TYPE CLAMP, CUSHION SUPPORT, .37 TO .75 ID, ALUM OR PLATED STL WITH NEOPRENE	1
6	20	AJXXXXN7556845PC021	2	MESSAGE DISPLAY UNIT	1
6	21	AJXXXXN7556845PC022	2	PACKING ASSEMBLY, SIZE 5C	1
6	22	AJXXXXN7556845PC023	2	PLUG, SIZE 2, NYLON	2
6	23	AJXXXXN7556845PC024	2	RECEPTACLE, CONNECTOR, SOCKET, SHELL SIZE 20-11S	1
6	24	AJXXXXN7556845PC025	2	RECEPTACLE, CONNECTOR, SOCKET, SHELL SIZE 20-4S	1
6	25	AJXXXXN7556845PC026	2	RECEPTACLE, CONNECTOR, SOCKET, SHELL SIZE 20-4SW 45° KEYING	1
6	26	AJXXXXN7556845PC028	2	RECEPTACLE, CONNECTOR, SOCKET, SHELL SIZE 24-5S	1
6	27	AJXXXXN7556845PC029	2	SEALING O-RING, .5 NPT	9
6	28	AJXXXXN7556845PC030	2	RESISTOR, 1 MEG OHM, 1/2 W, 10% TOLERANCE, 120 VAC	1
6	29	AJXXXXN7556845PC031	2	STUFFING TUBE, .5 NPT, BLACK, .25-.31 WIRE DIA RANGE, WITH LOCKNUT	9
6	30	AJXXXXN7556845PC032	2	STUFFING TUBE SIZE 2 STRAIGHT, NYLON	2
6	31	AJXXXXN7556845PC033	2	STUFFING TUBE SIZE 5 STRAIGHT, NYLON	1
6	32	AJXXXXN7556845PC034	2	CAP SCREW, HEX HEAD, .375-16UNC-2A X .75 LG, SST 18-8	1
6	33	AJXXXXN7556845PC035	2	CAP SCREW, HEX HEAD, .375-16UNC-2A X 1.50 LG, SST 18-8	8
6	34	AJXXXXN7556845PC036	2	DOOR STIFFENER, BOTTOM (19.00 X 2.25 X 14 GA), SST 304, ASTM A240	1
6	35	AJXXXXN7556845PC037	2	DOOR STIFFENER, TOP (19.00 X 2.25 X 14 GA), SST 304, ASTM A240	1
6	36	AJXXXXN7556845PC038	2	ENCLOSURE, 24.00 X 24.00 X 8.00, NEMA 4X, SST 304	1

FIG. NO.	INDEX NO.	PART NUMBER	INDENT	DESCRIPTION	QTY PER ASSY
6	37	AJXXXXN7556845PC039	2	MOUNTING BAR, .38 X 2.00 X 27.00 LG, SST 304, ASTM A276	2
6	38	AJXXXXN7556845PC040	2	BRACKET, EVENT COUNTER, 1.88 X 8.25 X 14 GAUGE, SST 304, ASTM A240	1
6	39	AJXXXXN7556845PC041	2	CONTACTOR, IEC NON-REVERSING, AC1 RATED FOR 18 AMP MIN., IEC SIZE A	2
6	40	AJXXXXN7556845PC042	2	DIN RAIL, SYMMETRICAL, 35 MM X 7.5 MM X 11.00 LG, STL ZINC PLATED	1
6	41	AJXXXXN7556845PC043	2	DIN RAIL, SYMMETRICAL, 35 MM X 7.5 MM X 13.00 LG, STL ZINC PLATED	1

6	42	AJXXXXN7556845PC044	2	END ANCHORS, DIN RAIL MOUNTED	6
6	43	AJXXXXN7556845PC045	2	END PLATE, ZAP ZDL 2.5	1
6	44	AJXXXXN7556845PC046	2	END PLATE, ZAP, BEIGE, ZAP/TW3	9
6	45	AJXXXXN7556845PC047	2	EVENT COUNTER	1
6	46	AJXXXXN7556845PC048	2	FILTER, AC POWER LINE	1
6	47	AJXXXXN7556845PC049	2	FUSE BLOCK, DIN RAIL MOUNTED	10
6	48	AJXXXXN7556845PC050	2	FUSE, MIFGET, SERIES FLM, TIME DELAY 250V, 1/2 AMP, DIA .41 X 1.5 LG	1
6	49	AJXXXXN7556845PC051	2	FUSES, MIDGET, SERIES KLDR, TIME DELAY, 600V, .3 AMP, DIA .41 X 1.5 LG	2
6	50	AJXXXXN7556845PC052	2	FUSE, MIDGET, SERIES FLM, TIME DELAY, 250 V, 1 AMP, DIA .41 X 1.5 LG	1
6	51	AJXXXXN7556845PC053	2	FUSE, MIDGET, SERIES KLK, FAST-ACTING, 600V, 20 AMP, DIA .41 X 1.5 LG	6
6	52	AJXXXXN7556845PC054	2	JUMPER, 2 POLE, ZQV 2.5/2	6
6	53	AJXXXXN7556845PC055	2	JUMPER, 3 POLE, ZQV 2.5/3	2
6	54	AJXXXXN7556845PC056	2	JUMPER, 7 POLE, ZQV 2.5/7	1
6	55	AJXXXXN7556845PC057	2	PANEL 21.00 X 21.00 X .375 THK, ALUM AL 6061-T6/T651 ASTM B209	1
6	56	AJXXXXN7556845PC058	2	PIN, QUICK RELEASE, RING GRIP STYLE, .312 DIA X 4.25 GRIP LG, SST	2
6	57	AJXXXXN7556845PC059	2	PLC FILLER MODULE	2
6	58	AJXXXXN7556845PC060	2	PLC BASEPLATE	1
6	59	AJXXXXN7556845PC061	2	PLC INPUT MODULE	1
6	60	AJXXXXN7556845PC062	2	PLC OUTPUT MODULE	2
6	61	AJXXXXN7556845PC063	2	PLC POWER SUPPLY	1
6	62	AJXXXXN7556845PC064	2	PLC PROM, INTEGRATED CIRCUIT, 28 PIN, PRE PROGRAMMED	1
6	63	AJXXXXN7556845PC065	2	RELAY SOCKET, 12 PIN, BOTTOM MOUNTED	1
6	64	AJXXXXN7556845PC066	2	RELAY, DPDT, 115 VAC, 10 AMP	1
6	65	AJXXXXN7556845PC067	2	RELAY, TIMING, BULLETIN 700-FE, ON DELAY	1
6	66	AJXXXXN7556845PC068	2	RELAY, TIMING, BULLETIN 700-FE, OFF DELAY	1
6	67	AJXXXXN7556845PC069	2	SUPPRESSOR, RESISTOR/CAPACITOR NETWORK, Q/QRL SERIES, 125 VAC, .10 uF, 150 ohm	1
6	68	AJXXXXN7556845PC070	2	TAGS, DEK 5/5, NUMBERS 1-50	2
6	69	AJXXXXN7556845PC071	2	TERMINAL BLOCK, FEED THRU, BEIGE, ZDU 2.5/4AN	19
6	70	AJXXXXN7556845PC072	2	TERMINAL BLOCK, GROUND, GRN/YEL, ZPE 2.5/4AN	1
6	71	AJXXXXN7556845PC073	2	TERMINAL BLOCK, MULTILEVEL, Z SERIES, ZDL 2.5/L/L/PE	9

6	72	AJXXXXN7556845PC074	2	TERMINAL BLOCK, POWER DISTRIBUTION	1
---	----	---------------------	---	------------------------------------	---

6	73	AJXXXXN7556845PC075	2	TRANSFORMER, 440 VAC TO 110 VAC, 75 VA, 60 HZ	1
6	74	AJXXXXN7556845PC083	2	CAP SCREW, HEX SKT FLAT HEAD, .190-32UNF-2A X 1.00 LG, SST 18-8	11
6	75	AJXXXXN7556845PC084	2	CAP SCREW, HEX SKT FLAT HEAD X 82 DEG, .312-18UNC-2A X .625 LG, SST 18-8	12
6	76	AJXXXXN7556845PC085	2	WASHER, FLAT, .190 NOMINAL, SST 18-8	4
6	77	AJXXXXN7556845PC086	2	NUT, ELASTIC LOCK, .112-40UNC-2B, SST 18-8	20
6	78	AJXXXXN7556845PC087	2	NUT, ELASTIC LOCK, .138-32UNC-2B, SST 18-8	29
6	79	AJXXXXN7556845PC088	2	NUT, ELASTIC LOCK, .164-32UNC-2B, SST 18-8	5
6	80	AJXXXXN7556845PC089	2	NUT, ELASTIC LOCK, .190-32UNC-2B, SST 18-8	16
6	81	AJXXXXN7556845PC090	2	NUT, ELASTIC LOCK, .375-16UNC-2B, SST 18-8	10
6	82	AJXXXXN7556845PC091	2	NUT, HEX, W/EXT TOOTH LOCK WASHER, .375-16UNC-2B, STL, ZINC PLATED	1
6	83	AJXXXXN7556845PC092	2	RETRACTABLE SCREW FASTENERS, FLOATING STYLE, .190-32UNF THREAD SIZE, SST	3
6	84	AJXXXXN7556845PC093	2	SCREW, FLAT HD, .138-32UNC-2A X .375 LG, SST 18-8	5
6	85	AJXXXXN7556845PC094	2	SCREW RD HD, .112-40UNC-2A X .50 LG, SST 18-8	20
6	86	AJXXXXN7556845PC095	2	SCREW RD HD, .138-32UNC-2A X .375 LG, SST 18-8	7
6	87	AJXXXXN7556845PC097	2	SCREW RD HD, .138-32UNC-2A X .50 LG, SST 18-8	18
6	88	AJXXXXN7556845PC098	2	SCREW, RD HD, .138-32UNC-2A X .75 LG, SST 18-8	2
6	89	AJXXXXN7556845PC100	2	SCREW RD HD, .164-32UNC-2A X .75 LG, SST 18-8	1
6	90	AJXXXXN7556845PC101	2	SCREW RD HD, .190-32UNF-2A X .375 LG, SST 18-8	2
6	91	AJXXXXN7556845PC102	2	SCREW, RD HD, .190-32UNF-2A X .50 LG, SST 18-8	22
6	94	AJXXXXN7556845PC103	2	SCREW RD HD, .190-32UNF-2A X .625 LG, SST 18-8	8
6	95	AJXXXXN7556845PC104	2	SEALING WASHER, BONDED NEOPRENE TYPE FOR .164 SCREW SIZE, .375 NOM OD, SST 18-8	1
6	96	AJXXXXN7556845PC105	2	SEALING WASHER, BONDED NEOPRENE TYPE FOR .190 SCREW SIZE, .50 NOM OD, SST 18-8	15

6	97	AJXXXXN7556845PC106	2	STUD, FULLY THREADED, .375-16UNC-2A X 2.00 LG, STL ZINC PLD	1
6	98	AJXXXXN7556845PC107	2	WASHER, FLAT, .38 NOM DIA, SST 18-8	8

6	99	AJXXXXN7556833PC017	2	LABEL, HAZARD, ELECTRICAL SHOCK	1
6	100	AJXXXXN7556833PC020	2	LABEL PLATE, POWER ON	1
6	101	AJXXXXN7556833PC021	2	LABEL PLATE, PROBLEM INDICATED	1
6	102	AJXXXXN7556833PC023	2	NAMEPLATE, PROCESSING CYCLE COMPLETE	1
6	103	AJXXXXN7556833PC018	2	NAMEPLATE, REAR ELECTRICAL ENCLOSURE	1
6	104	AJXXXXN7556833PC022	2	OPERATING INSTRUCTION PLATE	1
6	105	AJXXXXN7556845PC123	2	TERMINAL, PUSH-ON FEMALE, 18-22 AWG	5
6	106	AJXXXXN7556845PC126	2	TERMNAL, RING TONGUE, INSULATED, 22-18 AWG, .375 STUD	2
6	107	AJXXXXN7556845PC127	2	TERMNAL, RING TONGUE, INSULATED, 22-18 AWG, #6 STUD	4
6	108	AJXXXXN7556845PC128	2	TERMNAL, RING TONGUE, INSULATED, 12-10 AWG, .375 STUD	4



Figure 7. Auxiliary Unit Assembly

Auxiliary Unit Assembly

FIG. NO.	INDEX NO.	PART NUMBER	INDENT	DESCRIPTION	QTY PER ASSY
7	0	AJXXXXN7556850AY099	1	AUXILIARY UNIT ASSEMBLY (For NHA, see Figure 1)	
7	1	AJXXXXN7556851AY099	2	SUPPORT STRUCTURE	1
7	2	AJXXXXN7556853AY099	2	COOLING WATER RETURN SPOOL (For Details, see Figure 7-10)	1
7	3	AJXXXXN7556852AY099	2	COOLING WATER SUPPLY SPOOL (For Details, see Figure 7-9)	1
7	4	AJXXXXN7556860AY099	2	AUXILIARY ELECTRICAL ENCLOSURE (For Details, see Figure 7-8)	2
7	5	AJXXXXN7556861AY099	2	AIR FLOW SWITCH FSA WIRED ASSEMBLY	1
7	6	AJXXXXN7556861AY098	2	AIR FLOW SWITCH FSB WIRED ASSEMBLY	1
7	7	AJXXXXN7556861AY097	2	BLOCKING VALVE BVA WIRED ASSEMBLY	1
7	8	AJXXXXN7556861AY096	2	BLOCKING VALVE BVB WIRED ASSEMBLY	1
7	9	AJXXXXN7556850PC009	2	FILTER, COALESCING, 3/8" NPT CONNECTIONS, TWIST DRAIN	1
7	10	AJXXXXN7556850PC010	2	VALVE, RIGHT ANGLE BALL, 3/8" MALE NPT ENDS, LEVER HANDLE	2
7	11	AJXXXXN7556850PC011	2	VALVE, BLEED, 3/8" NPT, SST 316	2
7	12	AJXXXXN7556850PC012	2	MANIFOLD, 6 PORT, 3/8" NPT INLET X 1/4" NPT OUTLET, BRASS	2
7	13	AJXXXXN7556850PC013	2	FEMALE CONNECTOR, 3/8" FEMALE NPT X -6 37° FLARE MALE, BRASS	1
7	14	AJXXXXN7556850PC014	2	MALE CONNECTOR, 1/4" NPT X -6 37° FLARE, BRASS	12
7	15	AJXXXXN7556850PC015	2	MALE CONNECTOR, 3/8" NPT X -6 37° FLARE, BRASS	10
7	16	AJXXXXN7556850PC016	2	MALE CONNECTOR, 1/8" NPT X 3/8" TUBE (COMPRESSION), BRASS	4
7	17	AJXXXXN7556850PC017	2	ELBOW, 90°,-6 37° FEMALE FLARE SWIVEL X -6 37° MALE FLARE, BRASS	4
7	18	AJXXXXN7556850PC018	2	CAP NUT, 3/4", 37° FLARE, BRASS	4
7	19	AJXXXXN7556850PC019	2	NIPPLE, 3/8" NPT X 3/8" NPT X 1.00 LG, BRASS	1
7	20	AJXXXXN7556850PC020	2	PIPE NIPPLE, 3/8" SCH 40 X 4.00 LG, THREADED BOTH ENDS, 150 PSI MAX, BRASS	1
7	21	AJXXXXN7556850PC021	2	STREET ELBOW, 3/8" NPT, 150 PSI MAX, BRASS	1
7	22	AJXXXXN7556850PC022	2	UNION, 3/8" NPT FEMALE, 150 PSI MAX, BRASS	1
7	23	AJXXXXN7556850PC023	2	TEE, 3/8" NPT MALE BRANCH X 3/8" NPT FEMALE RUN, BRASS	1
7	24	AJXXXXN7556850PC024	2	PIPE PLUG, 3/8" NPT, SOCKET HEAD, BRASS	4

FIG. NO.	INDEX NO.	PART NUMBER	INDENT	DESCRIPTION	QTY PER ASSY
7	25	AJXXXXN7556850PC025	2	HOSE ASSEMBLY, H101A, .38 I.D. FIRE RESISTANT HOSE, BLACK, WITH FEMALE JIC -6 37° SWIVEL END FITTINGS, 13.5 IN LG	1
7	26	AJXXXXN7556850PC026	2	HOSE ASSEMBLY, H104A, .38 I.D. FIRE RESISTANT HOSE, BLACK, WITH FEMALE JIC -6 37° SWIVEL END FITTINGS, 19.0 IN LG	1
7	27	AJXXXXN7556850PC027	2	HOSE ASSEMBLY H105A, .38 I.D. FIRE RESISTANT HOSE, BLACK, WITH FEMALE JIC -6 37° SWIVEL END FITTINGS, 16.0 IN LG	1
7	28	AJXXXXN7556850PC028	2	HOSE ASSEMBLY H108A, .38 I.D. FIRE RESISTANT HOSE, BLACK, WITH FEMALE JIC -6 37° SWIVEL END FITTINGS, 22.0 IN LG	1
7	29	AJXXXXN7556850PC029	2	EXHAUST MUFFLER, 1/8" NPT	8
7	30	AJXXXXN7556850PC030	2	EXHAUST MUFFLER, 1/4" NPT	4
7	31	AJXXXXN7556850PC031	2	EXHAUST MUFFLER, 3/8" NPT	4
7	32	AJXXXXN7556850PC032	2	EXHAUST MUFFLER, 1/2" NPT	2
7	33	AJXXXXN7556850PC033	2	PIPE CLAMP, U-BOLT, 1/2" IPS WITH ELASTOMER INSERT, .250-20UNC-2A THDS, SST	1
7	34	AJXXXXN7556850PC034	2	PIPE CLAMP, 3/4" IPS, SST 18-8	4
7	35	AJXXXXN7556850PC035	2	PIPE CLAMP, U-BOLT, 1" IPS WITH ELASTOMER INSERT, .250-20UNC-2B THREADS, SST	4
7	36	AJXXXXN7556850PC036	2	CAP SCREW, HEX HD, .250-20UNC-2A X .75 LG, SST 18-8	22
7	37	AJXXXXN7556850PC037	2	CAP SCREW, HEX HD, .312-18UNC-2A X 1.25 LG, SST 18-8	8
7	38	AJXXXXN7556850PC038	2	CAP SCREW, HEX HD, .375-16UNC-2A X .62 LG, SST 18-8	4
7	39	AJXXXXN7556850PC039	2	PIPE CLAMP, U-BOLT, 3/4" IPS WITH ELASTOMER INSERT, .250-20UNC-2B THREADS, SST	2
7	40	AJXXXXN7556850PC040	2	CAP SCREW, SOC HD, #10(.190)-32UNF-2A X 1.25 LG, SST 18-8	4
7	41	AJXXXXN7556850PC041	2	CAP SCREW, SOC HD, #10(.190)-32UNF-2A X 2.00 LG, SST 18-8	2
7	42	AJXXXXN7556850PC042	2	CAP SCREW, SOC HD, .250-20UNC-2A X 1.50 LG, SST 18-8	4
7	43	AJXXXXN7556850PC043	2	NUT, ELASTIC LOCK, #10 (.190)-32UNF-2B, SST 18-8	6
7	44	AJXXXXN7556850PC044	2	NUT, ELASTIC LOCK, .250-20UNC-2B, SST 18-8	18
7	45	AJXXXXN7556850PC045	2	NUT, ELASTIC LOCK, .312-18UNC-3B, SST 18-8	8
7	46	AJXXXXN7556855PC003	2	MANIFOLD BRACKET	1



FIG. NO.	INDEX NO.	PART NUMBER	INDENT	DESCRIPTION	QTY PER ASSY
7	47	AJXXXXN7556850PC047	2	WASHER, SAE FLAT, #10 NOM, (.218 I.D. X .50 O.D. X .046 THK), SST 18-8	6
7	48	AJXXXXN7556850PC048	2	WASHER, SAE FLAT, .250 NOM, (.281 I.D. X .62 O.D. X .062 THK), SST 18-8	26
7	49	AJXXXXN7556850PC049	2	WASHER, SAE FLAT, .312 NOM, (.344 I.D. X .687 O.D. X .062 THK), SST 18-8	8
7	50	AJXXXXN7556850PC050	2	WASHER, SAE FLAT, .375 NOM, (.406 I.D. X .812 O.D. X .062 THK), SST 18-8	4
7	51	AJXXXXN7556850PC051	2	CAPTIVE NUT, .250-20UNC-2B, SST	8
7	52	AJXXXXN7556833PC024	2	NAMEPLATE, AVA	1
7	53	AJXXXXN7556833PC025	2	NAMEPLATE, AVB	1
7	54	AJXXXXN7556833PC001	2	NAMEPLATE, CVA	1
7	55	AJXXXXN7556833PC002	2	NAMEPLATE, CVB	1
7	56	AJXXXXN7556833PC003	2	NAMEPLATE, FSA	1
7	57	AJXXXXN7556833PC004	2	NAMEPLATE, FSB	1
7	58	AJXXXXN7556833PC005	2	NAMEPLATE, F1	1
7	59	AJXXXXN7556833PC006	2	NAMEPLATE, RVA	1
7	60	AJXXXXN7556833PC007	2	NAMEPLATE, RVB	1
7	61	AJXXXXN7556833PC008	2	NAMEPLATE, DVA	1
7	62	AJXXXXN7556833PC009	2	NAMEPLATE, DVB	1
7	63	AJXXXXN7556833PC010	2	NAMEPLATE, BVA	1
7	64	AJXXXXN7556833PC011	2	NAMEPLATE, BVB	1
7	65	AJXXXXN7556833PC012	2	NAMEPLATE, AUXILIARY UNIT	1
7	66	AJXXXXN7556850PC066	2	POP-RIVIT, Ø.125 X .25-.31 GRIP LENGTH, DOME HEAD, SST 18-8	30
7	67	AJXXXXN7556855PC001	2	STANDOFF, LEFT SIDE, AUXILIARY ELECTRICAL ENCLOSURE	1
7	68	AJXXXXN7556855PC002	2	STANDOFF, RIGHT SIDE, AUXILIARY ELECTRICAL ENCLOSURE	1
7	69	AJXXXXN7556850PC069	2	LOOP STRAP, 7/8" NOM I.D., SST 304	2
7	70	AJXXXXN7556861AY093	2	DOOR CONTROL VALVE DVA WIRED ASSEMBLY	1
7	71	AJXXXXN7556861AY092	2	DOOR CONTROL VALVE DVB WIRED ASSEMBLY	1
7	72	AJXXXXN7556850PC077	2	HOSE ASSEMBLY H101B, .38 I.D. FIRE RESISTANT HOSE, BLACK, WITH FEMALE JIC -6 37° SWIVEL END FITTINGS, 13.5 IN LG	1
7	73	AJXXXXN7556850PC078	2	HOSE ASSEMBLY H104B, .38 I.D. FIRE RESISTANT HOSE, BLACK, WITH FEMALE JIC -6 37° SWIVEL END FITTINGS, 13.5 IN LG	1
7	74	AJXXXXN7556850PC079	2	HOSE ASSEMBLY H105B, .38 I.D. FIRE RESISTANT HOSE, BLACK, WITH FEMALE JIC -6 37° SWIVEL END FITTINGS, 22.0 IN LG	1

FIG. NO.	INDEX NO.	PART NUMBER	INDENT	DESCRIPTION	QTY PER ASSY
7	75	AJXXXXN7556850PC080	2	HOSE ASSEMBLY H108B, .38 I.D. FIRE RESISTANT HOSE, BLACK, WITH FEMALE JIC -6 37° SWIVEL END FITTINGS, 22.0 IN LG	1
7	76	AJXXXXN7556861AY091	2	RAM CONTROL VALVE RVA WIRED ASSEMBLY	1
7	77	AJXXXXN7556861AY090	2	RAM CONTROL VALVE RVB WIRED ASSEMBLY	1
7	78	AJXXXXN7556860AY089	2	PRESSURE SWITCH PSA WIRED ASSEMBLY	1
7	79	AJXXXXN7556861AY088	2	PRESSURE SWITCH PSB WIRED ASSEMBLY	1
7	80	AJXXXXN7556850PC086	2	ELBOW 90°, 1/4 " NPT, 125 PSI, BRASS	2
7	81	AJXXXXN7556850PC087	2	PIPE NIPPLE, 1 / 4 " SCH 40 X 2.00 LG, THREADED BOTH ENDS, 150# MAX, BRASS	2
7	82	AJXXXXN7556850PC088	2	MALE ELBOW, 1 4 " NPT X 3 / 8 " 37° FLARE, BRASS	2

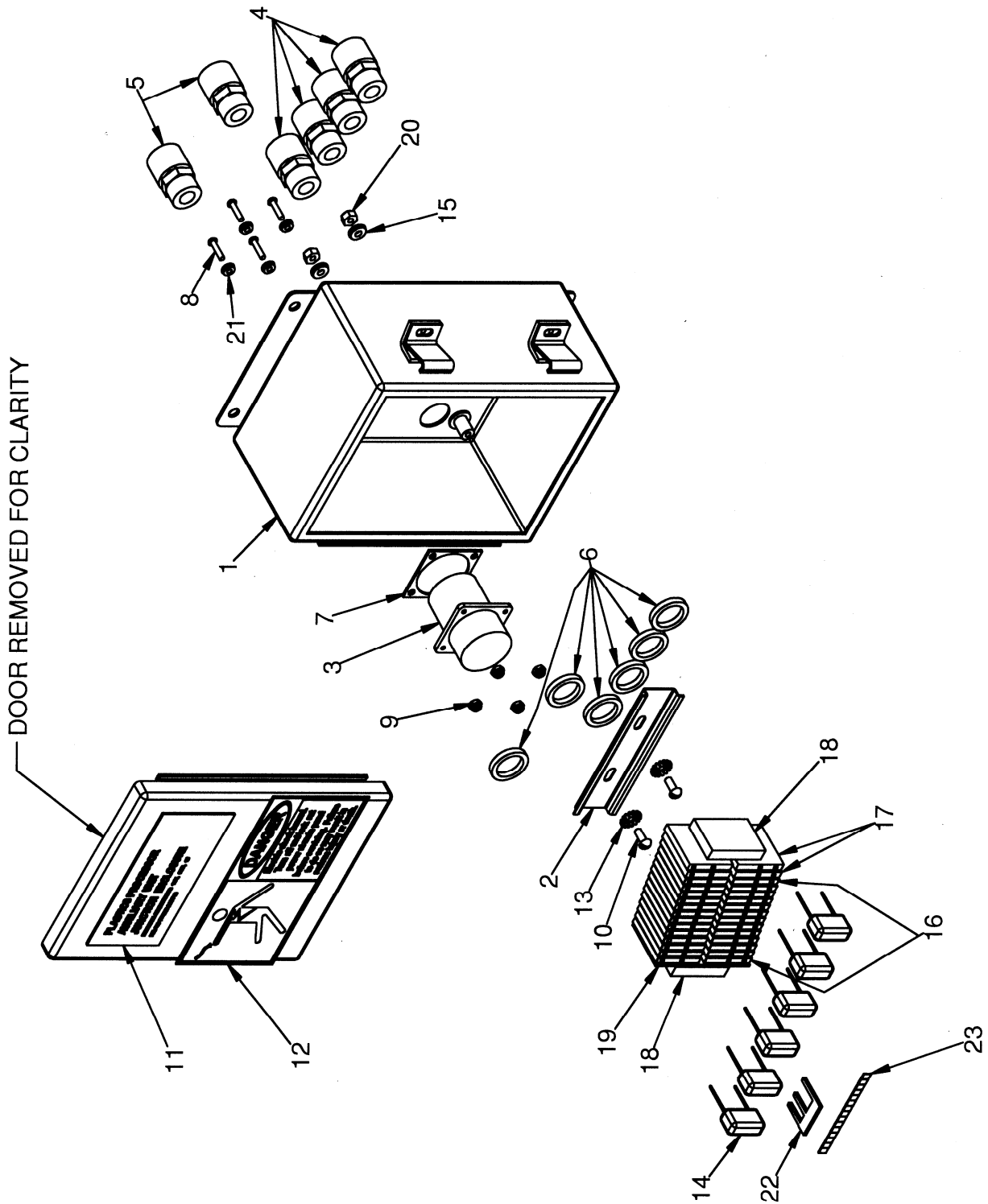


Figure 8. AU junction Enclosure Assembly.

AU Junction Enclosure Assembly

FIG. NO.	INDEX NO.	PART NUMBER	INDENT	DESCRIPTION	QTY PER ASSY
8	0	AJXXXXN7556860AY099	1	AU JUNCTION ENCLOSURE ASSEMBLY (For NHA, see Figure 7)	
8	1	AJXXXXN7556860PC001	2	ELECTRICAL ENCLOSURE, JIC, CONTINUOUS HINGE, CLAMPED COVER, NEMA TYPE 4X, SST	1
8	2	AJXXXXN7556860PC002	2	DIN RAIL, 35 mm X 7.5 mm X 4.50 LG., STL ZINC PLATED	1
8	3	AJXXXXN7556860PC003	2	RECEPTACLE CONNECTOR, 16 PIN, SIZE 24-5P	1
8	4	AJXXXXN7556860PC004	2	CORD CONNECTOR, 1/2" NPT, BLACK, .25"-.31" RANGE, WITH LOCKNUT, NYLON	3
8	5	AJXXXXN7556860PC005	2	CORD CONNECTOR, 1/2" NPT, BLACK, .31"-.38" RANGE, WITH LOCKNUT, NYLON	2
8	6	AJXXXXN7556860PC006	2	SEALING O-RING, 1/2" NPT, STL ZINC PLATED	6
8	7	AJXXXXN7556860PC007	2	GASKET, SIZE 24 (FOR RECEPTACLE CONNECTOR SIZE 24-5P), SILICON	1
8	8	AJXXXXN7556860PC008	2	RD. HEAD SCREW, .138-32 UNC-2A X .625 LG., SST 18-8	4
8	9	AJXXXXN7556860PC009	2	ELASTIC LOCKNUT, .138-32UNC-2B, SST 18-8	4
8	10	AJXXXXN7556860PC010	2	ROUND HEAD SLOTTED SCREW, #10 (.190)-32UNC-2A X .50 LONG, SST 18-8	2
8	11	AJXXXXN7556833PC019	2	NAMEPLATE, AUXILIARY UNIT	1
8	12	AJXXXXN7556833PC017	2	LABEL, SAFETY	1
8	13	AJXXXXN7556860PC013	2	INTERNAL/EXTERNAL LOCKWASHER, .190 NOMINAL, SST 18-8	2
8	14	AJXXXXN7556860PC014	2	RESISTOR/CAPACITOR NETWORK 150 OHM, 10 uF CAPACITOR	6
8	15	AJXXXXN7556860PC019	2	SEALING WASHER BONDED NEOPRENE TYPE, FOR .190 SCREW SIZE, .500 NOM. OD, SST	2
8	16	AJXXXXN7556860PC020	2	TERMINAL FEED THRU, BEIGE, ZDU 2.5/4N, 35mm DIN RAIL MOUNT	13
8	17	AJXXXXN7556860PC021	2	GROUND, TERMINAL FEED THRU, GREEN/YELLOW, ZPE 2.5/4AN, 35mm DIN RAIL MOUNT	2
8	18	AJXXXXN7556860PC022	2	END BRACKET, TYPE EW35	2
8	19	AJXXXXN7556860PC023	2	END PLATE, ZAP, 35mm DIN RAIL MOUNT,	1
8	20	AJXXXXN7556860PC024	2	ELASTIC LOCK NUT, .190-32 UNF-3B, SST 18-8	2
8	21	AJXXXXN7556860PC025	2	SEALING WASHER BONDED NEOPRENE TYPE, FOR .138 SCREW SIZE, .375 NOM. OD, SST	4

FIG. NO.	INDEX NO.	PART NUMBER	INDENT	DESCRIPTION	QTY PER ASSY
8	22	AJXXXXN7556860PC026	2	JUMPER, ZQV 2.5/6 TYPE, 6 POLE, ALTERED	1
8	23	AJXXXXN7556860PC027	2	MARKING TAG, DEK TYPE, HORIZONTAL, 1 THRU 50	1

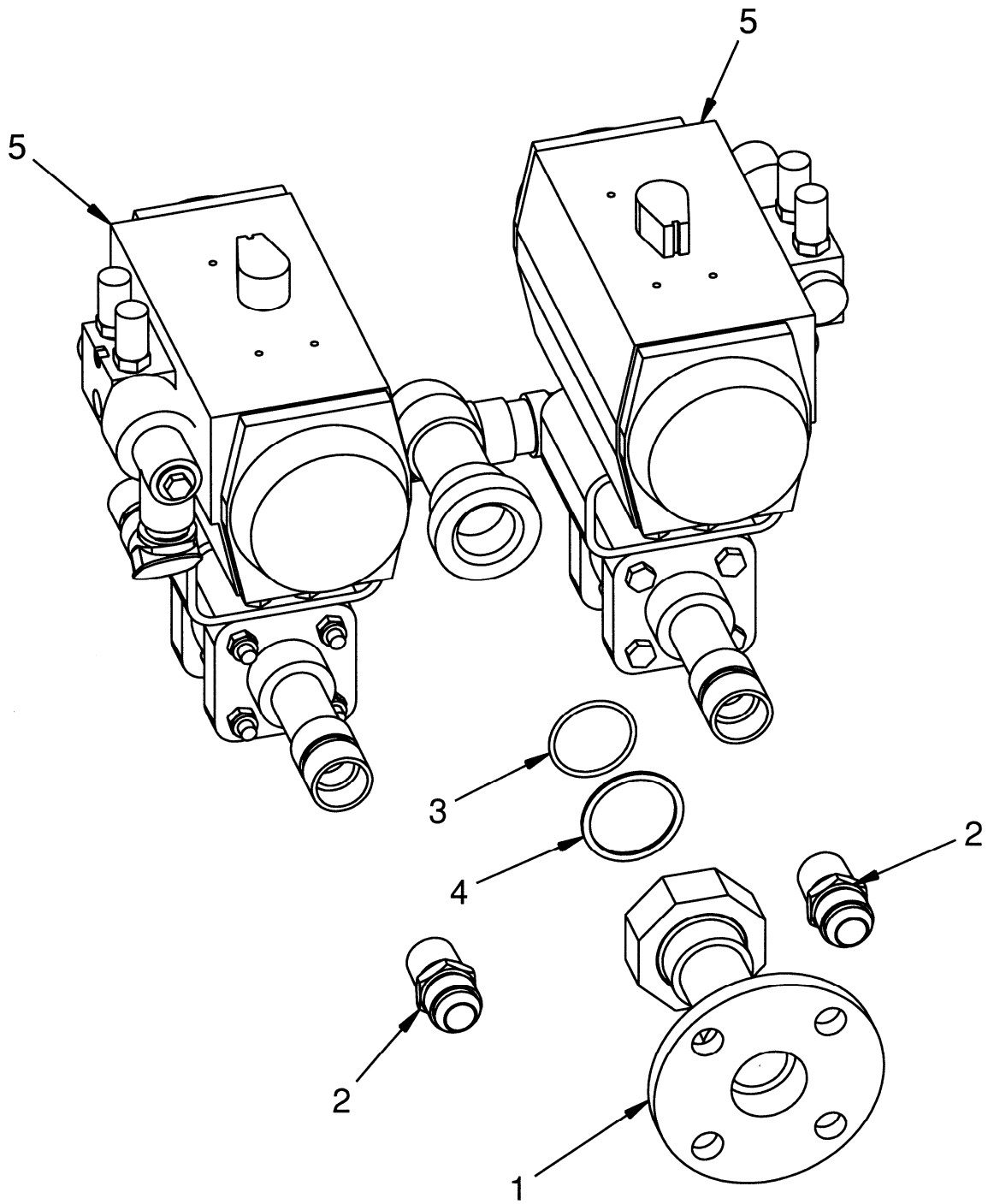


Figure 9. AU Cooling Water Supply Pipe Assembly

AU Cooling Water Supply Pipe Assembly

FIG. NO.	INDEX NO.	PART NUMBER	INDENT	DESCRIPTION	QTY PER ASSY
9	0	AJXXXXN7556852AY099	1	COOLING WATER SUPPLY PIPING ASSEMBLY (For NHA, see Figure 7)	
9	1	AJXXXXN7556852AY099	2	SUPPLY PIPE WELDMENT	1
9	2	AJXXXXN7556852PC007	2	MALE CONNECTOR, .75 MALE NPT X - 12 SIZE 37 DEG MALE FLARE, BRASS	2
9	3	AJXXXXN7556852PC018	2	O'RING, FLUOROCARBON, 1.549 I.D. X .103 W, ASA568-129 SIZE, 70 DUROMETER	1
9	4	AJXXXXN7556852PC017	2	RETAINER RING, 1.00 NOMINAL SIZE, 1.750 I.D. X 2.045 O.D. X .070 THK, BRONZE, ASTM B61	1
9	5	AJXXXXN7556854AY099 AJXXXXN7556854AY098	2	AU COOLING VALVE ASSEMBLY (For Detail, see Figure 11)	

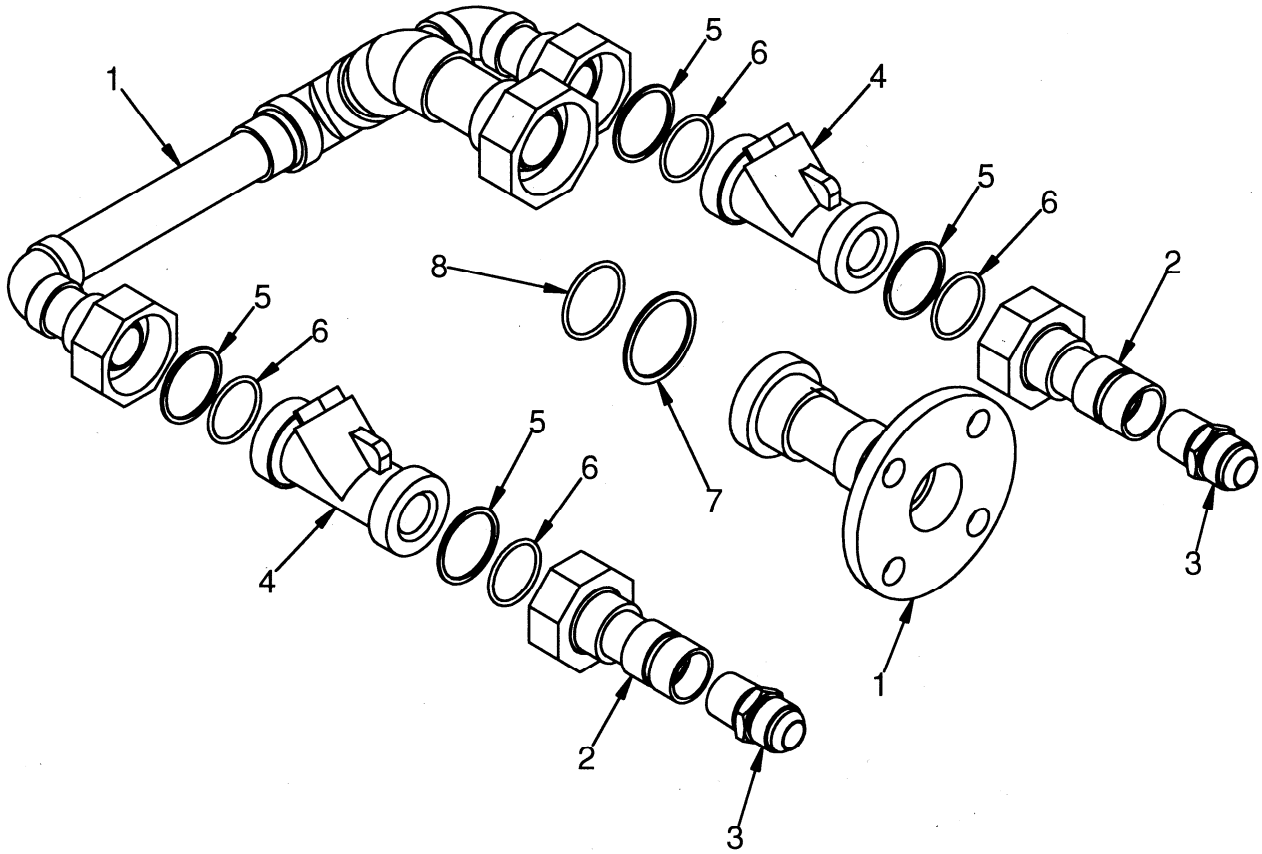


Figure 10. AU Cooling Water Return Pipe Assembly

AU Cooling Water Return Pipe Assembly

FIG. NO.	INDEX NO.	PART NUMBER	INDENT	DESCRIPTION	QTY PER ASSY
10	0	AJXXXXN7556853AY099	1	COOLING WATER RETURN PIPING ASSEMBLY (For NHA, see Figure 7)	
10	1	AJXXXXN7556853AY098	2	RETURN PIPE WELDMENT	1
10	2	AJXXXXN7556853AY097	2	TAILPIECE ADAPTER WELDMENT	2
10	3	AJXXXXN7556853PC007	2	MALE CONNECTOR, .75 MALE NPT X - 12 SIZE 37 DEG MALE FLARE, BRASS	2
10	4	AJXXXXN7556853PC016	2	VALVE, SWING CHECK, .75 IPS, UNION ENDS, SIL BRAZE, BRONZE	2
10	5	AJXXXXN7556853PC017	2	RETAINER RING, .75 NOMINAL SIZE, 1.500 I.D. X 1.715 O.D. X .060 THK, BRONZE, ASTM B61	4
10	6	AJXXXXN7556853PC018	2	O'RING, FLUOROCARBON, 1.299 I.D. X .103 W, ASA568 -125 SIZE, 70 DUROMETER	4
10	7	AJXXXXN7556853PC021	2	RETAINER RING, 1.00 NOMINAL SIZE, 1.750 I.D. X 2.045 O.D. X .070 THK, BRONZE, ASTM B61	1
10	8	AJXXXXN7556853PC020	2	O'RING, FLUOROCARBON, 1.549 I.D. X .103 W, ASA568 -129 SIZE, 70 DUROMETER	1

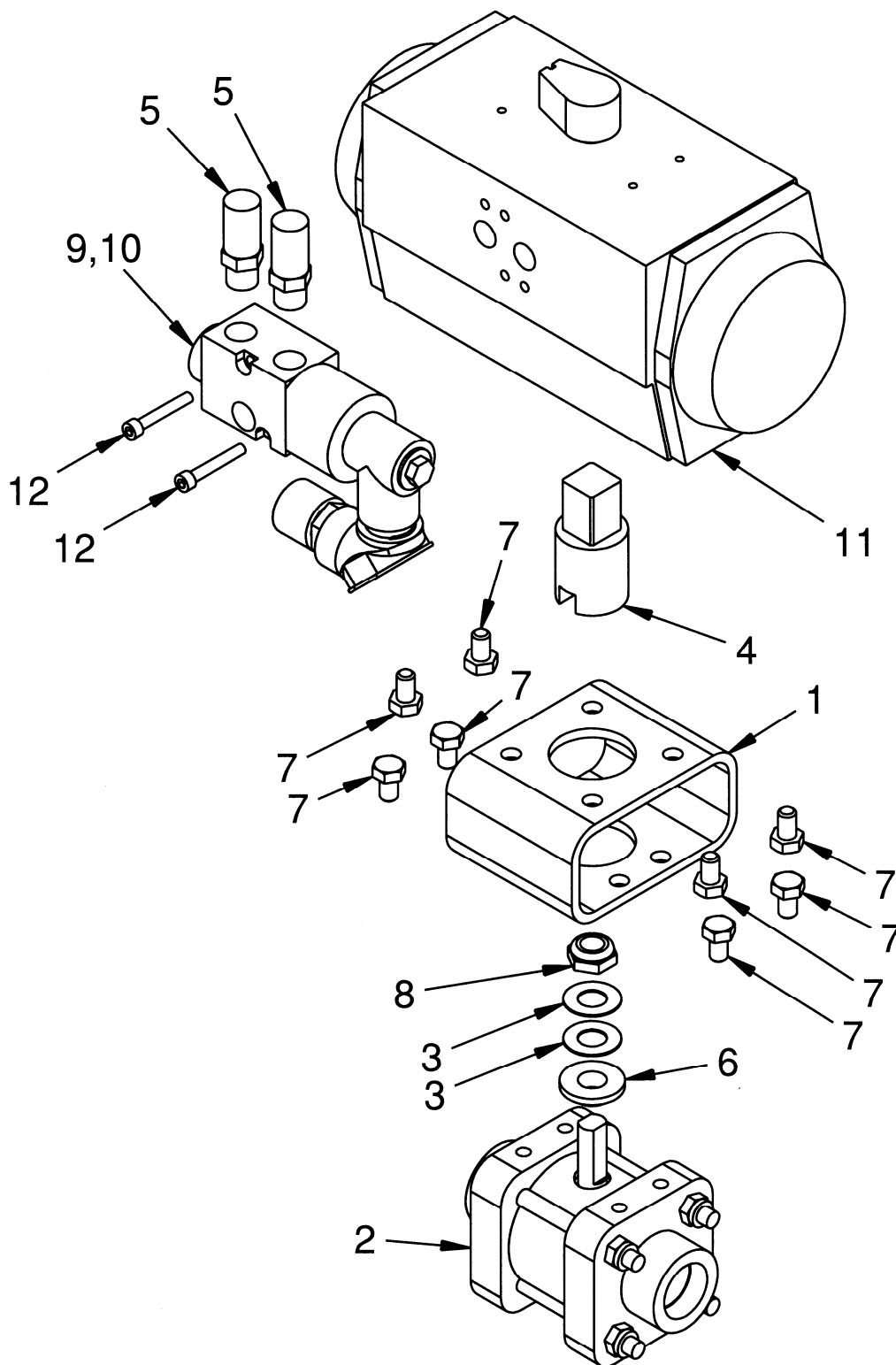


Figure 11. AU Cooling Valve Assembly

AU Cooling Valve Assembly

FIG. NO.	INDEX NO.	PART NUMBER	INDENT	DESCRIPTION	QTY PER ASSY
11	0	AJXXXXN7556854AY099	1	AU COOLING VALVE ASSEMBLY (For NHA, see Figure 9)	
11	1	AJXXXXN7556854PC001	2	ACTUATOR BRACKET, SST 304, ASTM A554	1
11	2	AJXXXXN7556854PC002	2	BALL VALVE, .75 IPS, NAVY STANDARD, SILBRAZE ENDS, TITANIUM BALL, BRONZE BODY	1
11	3	AJXXXXN7556854PC003	2	BELLEVILLE WASHER, .500 NOM DIA, SST	2
11	4	AJXXXXN7556854PC004	2	COUPLING, SST 304, ASTM A276	1
11	5	AJXXXXN7556854PC005	2	EXHAUST MUFFLER, .25 NPT, SINTERED BRONZE/PLATED STL	2
11	6	AJXXXXN7556854PC006	2	GLAND RING, SST 304, ASTM A479	1
11	7	AJXXXXN7556854PC007	2	CAP SCREW, HEX HEAD, .312-18UNC-2A X .50 LG, SST 18-8	8
11	8	AJXXXXN7556854PC008	2	NUT, ELASTIC LOCK, .500-20UNF-2B, SST 18-8	1
11	9	AJXXXXN7556861AY095	2	COOLING WATER PILOT VALVE, CVA, WIRED ASSEMBLY	1
11	10	AJXXXXN7556861AY094	2	COOLING WATER PILOT VALVE, CVB, WIRED ASSEMBLY	1
11	11	AJXXXXN7556854PC011	2	VALVE ACTUATOR, PNEUMATIC	1
11	12	AJXXXXN7556854PC013	2	CAP SCREW, SOC HD, .190-32UNF-3A X 1.25 LG, SST 18-8	2

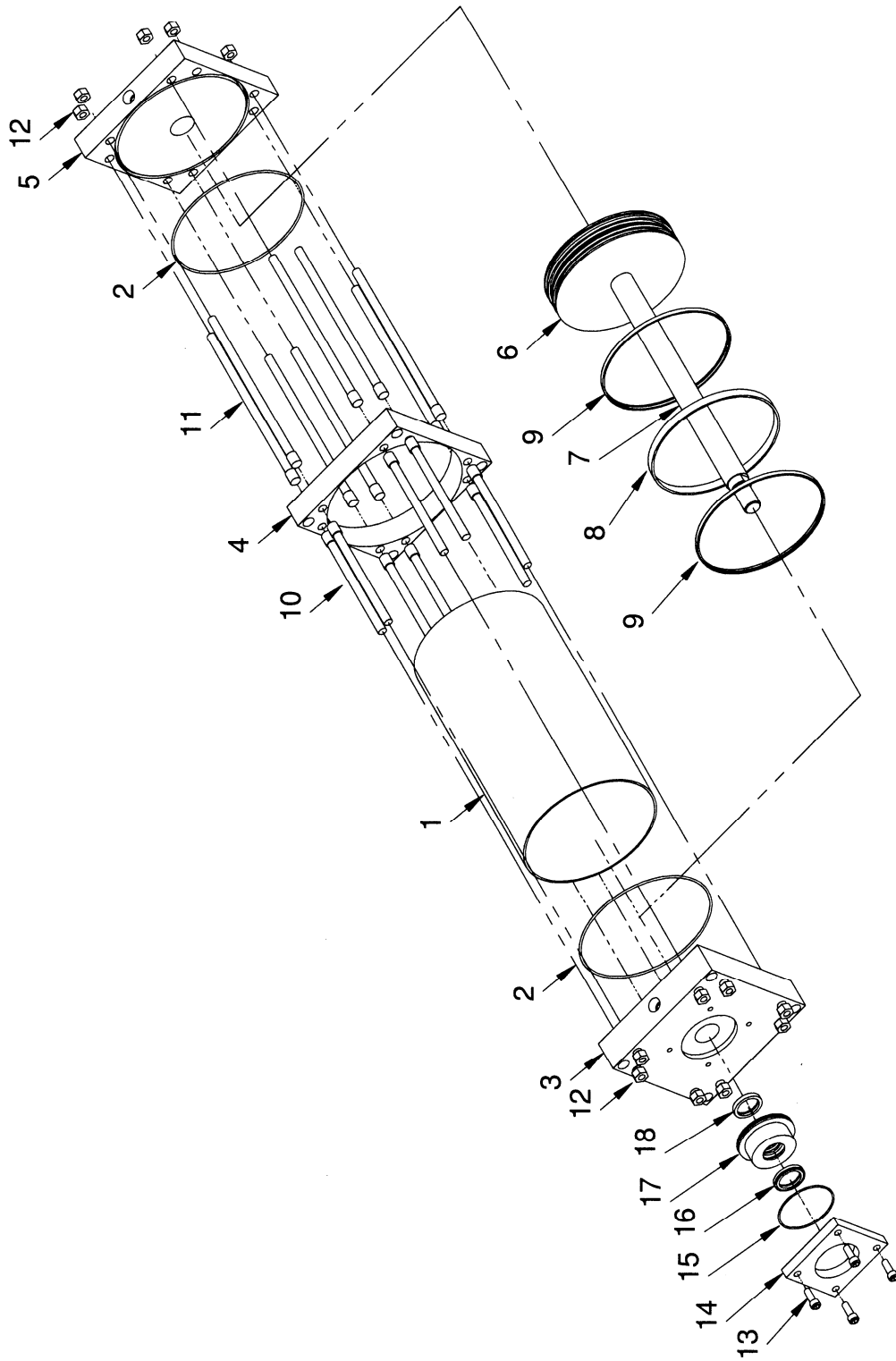


Figure 12. Ram Air Cylinder Assembly

Ram Air Cylinder Assembly

FIG. NO.	INDEX NO.	PART NUMBER	INDENT	DESCRIPTION	QTY PER ASSY
12	0	AJXXXXN7556811PC067	1	Ram Air Cylinder Assembly (For NHA, see Figure 2)	
12	1		2	Tube	1
12	2		2	Tube Seal	2
12	3		2	Head	1
12	4		2	Intermediate Mounting Flange	1
12	5		2	Cap	1
12	6		2	Piston	1
12	7		2	Piston Rod	1
12	8		2	Piston Wear Ring	1
12	9		2	Piston Seal	2
12	10		2	Tie Rod, Short	8
12	11		2	Tie Rod, Long	8
12	12		2	Tie Rod Nut	16
12	13		2	Cartridge Retainer Screw	4
12	14		2	Cartridge Retainer	1
12	15		2	Cartridge O-ring	1
12	16		2	Rod Wiper	1
12	17		2	Rod Cartridge	1
12	18		2	Rod Seal	1